

Dual Band In-Wall Infrared Receiver Instruction Manual

The Dual Band In-Wall Infrared Receiver receives IR signals from a handheld IR remote control and relays this to the audio/video equipment for operation from another room. Mounts to a single gang standard electrical box using a decorate cover plate.

FEATURES

1. Stylish decorate design. Available in white colors.
2. Dual color LED. Green for system status and blue for talk back.
3. Ultra thin design. Mounts easily in any J-box or P-ring.
4. Wide band IR receives IR from many types of remotes.

SPECIFICATIONS

| | |
|--------------------------|--|
| Receive Frequency Range: | 34 kHz to 60 kHz |
| Transmit Frequencies: | 38 KHz & 56 KHz |
| Range: | 40ft. @ 38 KHz |
| | 25ft. @ 56 KHz |
| Power: | 12VDC, 30mA max. |
| Status Power: | 12VDC, 3mA max. |
| Wire requirements: | 2 twisted pair, with or without shield |

INSTALLATION

Connect the Dual Band In-Wall Infrared Receiver to the connecting block using 2 twisted pair wire. Use one pair to connect GND (GROUND) and IR (SIGNAL). Use the other pair to connect ST (STATUS) and V+ (+12VDC). If the wire has a shield, connect it to the ground at both ends.

STATUS INDICATOR

To use the status indicator on the Dual Band In-Wall Infrared Receiver connect the 12 Volt 100mA or higher power supply to the STATUS line of the connecting block as shown . Plug the power supply into the switched outlet on the stereo receiver. When the receiver is on, the power supply will turn on the system status line and illuminate the LED green of the Dual Band In-Wall Infrared Receiver.

MOUNTING

Mount the Dual Band In-Wall Infrared Receiver to the standard electrical box using the screws that are supplied. Mount cover plate to the IR receiver. See Figure 1.

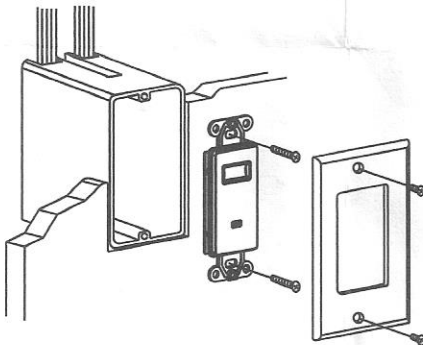


Figure 1