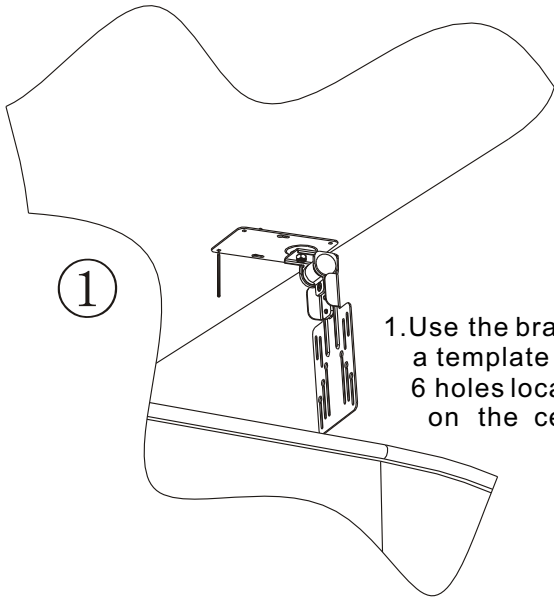
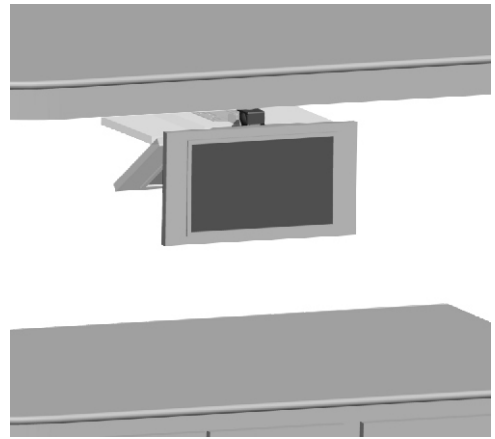


LCD-CM Installation Guide

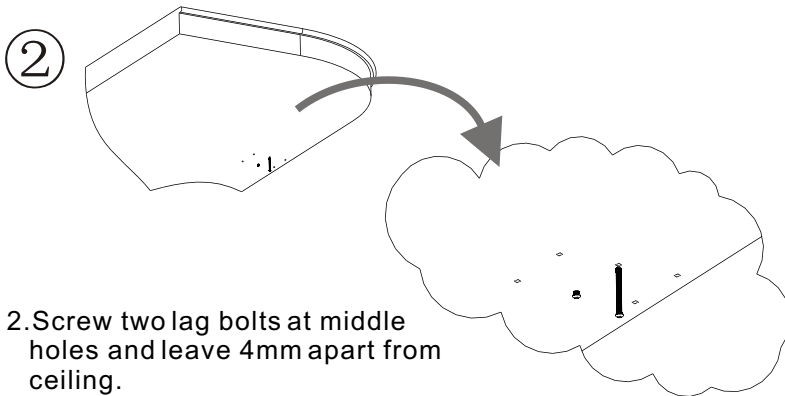
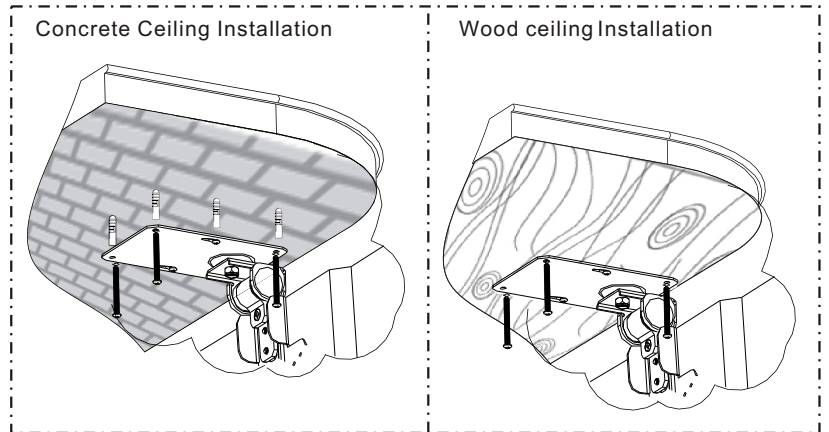
VESA 50/75/100mm



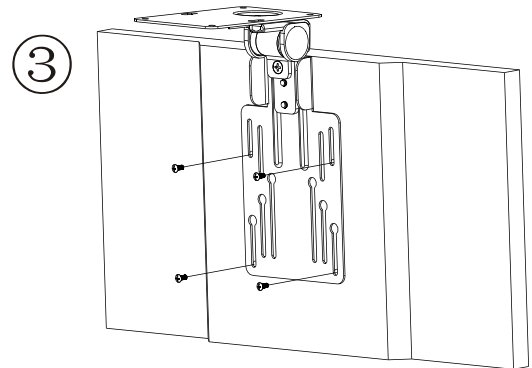
8kg/18lbs



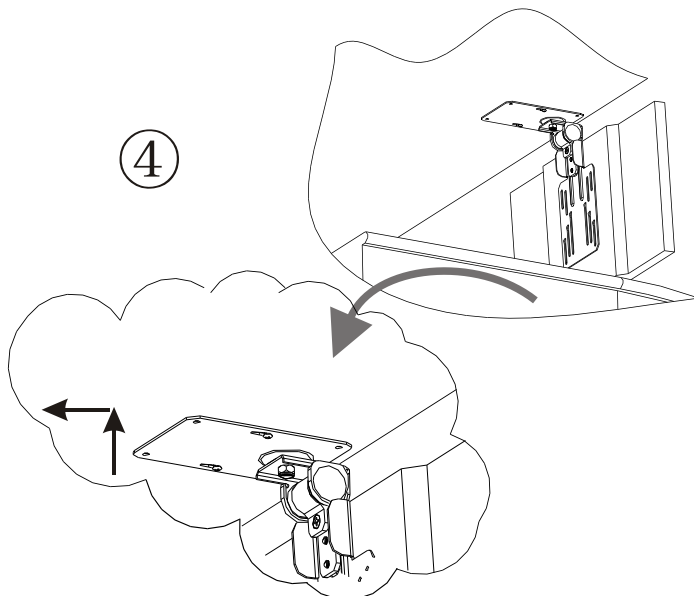
1. Use the bracket as a template to mark 6 holes locations on the ceiling.



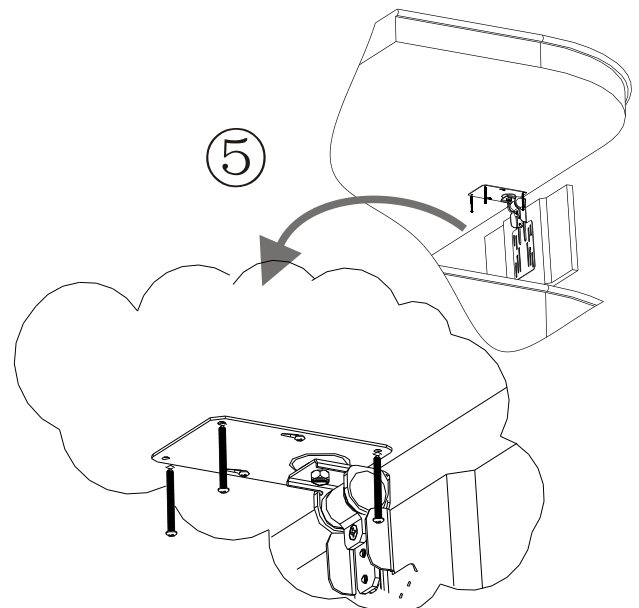
2. Screw two lag bolts at middle holes and leave 4mm apart from ceiling.



3. Attach the TV with supplied screws.



4. Attach the bracket to the ceiling.



5. Tighten all the other lag bolts.