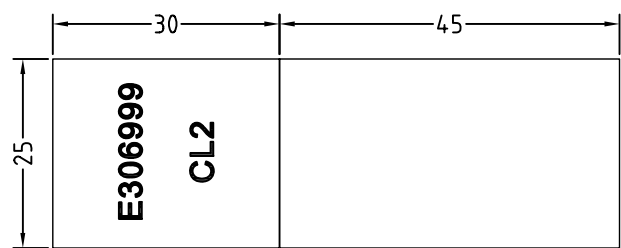
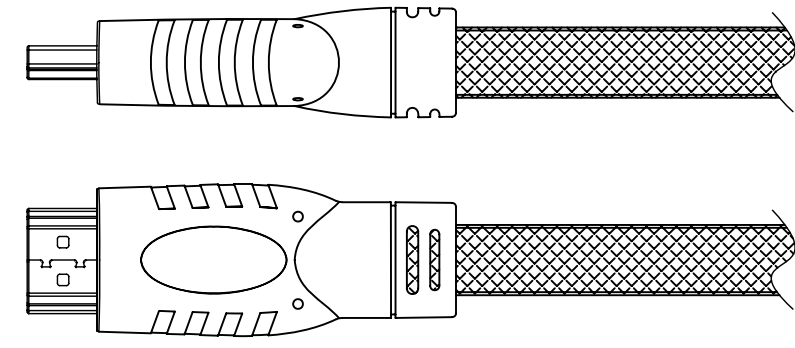
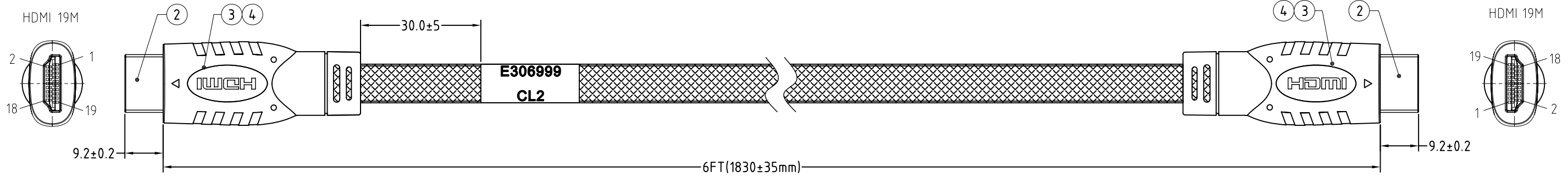
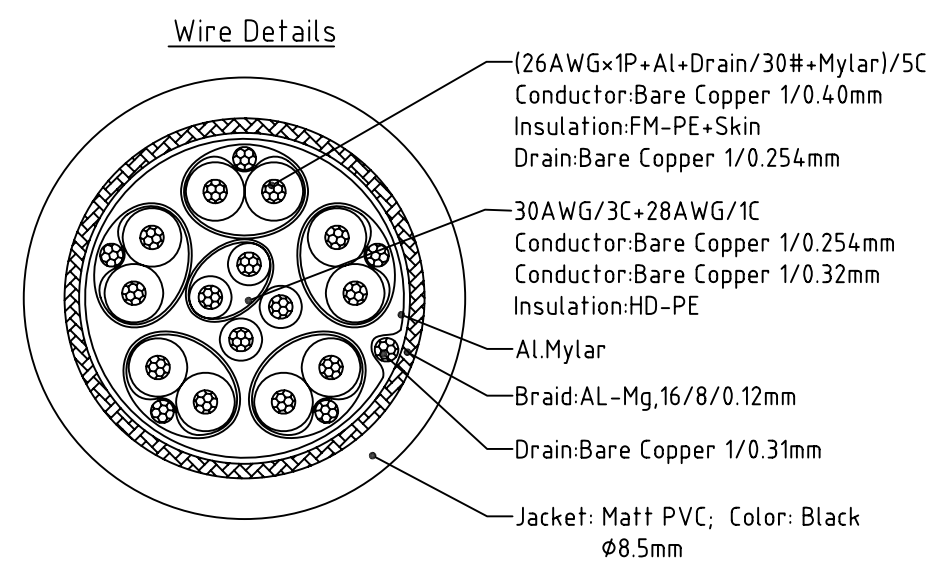


RoHS Compliant

REV.	Revision note	Date	Signature	Checked
5.0	change wire, add label	15/06/04	Pillar	



Electrical character:
 1)100% Open/short/Intermittent testing
 2)Withstanding voltage:DC 300V AT 10ms.
 3)Insulation resistance:10M Ohm(min)
 4)Residual operating current:
 a.<1.M=0.5mA; b.1.0~2.0M=1.0mA;
 c.2.0~3.0M=2.0mA; d.3.0~5.0M=3.0mA;
 e.5.0~10M=5.0mA; f.10~15M=7.0mA;
 5)Conductive resistance:3 Ohm Max
 6)Support1080P、3D、4K



Marking:(White)
 High Speed HDMI™ Cable with Ethernet E306999 (UL) TYLE CL2
 SHIELDED 26AWG --- AWM 20276 80°C 30V VW-1

PIN ASSIGNMENT(1.4v)

HDMI 19M	Color	HDMI 19M	Signal
3	Red	3	TMDS data2-
1	White	1	TMDS data2+
2	Drain	2	TMDS data2 Shield
6	Green	6	TMDS data1-
4	White	4	TMDS data1+
5	Drain	5	TMDS data1 Shield
9	Blue	9	TMDS data0-
7	White	7	TMDS data0+
8	Drain	8	TMDS data0 Shield
12	Brown	12	TMDS Clock-
10	White	10	TMDS Clock+
11	Drain	11	TMDS Clock Shield
19	Black	19	HPD/ HEAC-
14	White	14	Utility/ HEAC+
17	Drain	17	DDC/CEC/HEAC GND
13	White	13	CEC
15	Yellow	15	SCL
16	Orange	16	SDA
18	Red	18	+5V Power
SHELL	Braid	SHELL	SHELL

NO.	PART NAME	SPEC DESCRIPTION	PART P/N	REMARK
4	Overmold	PVC 60Pa black	PS02-601101	N/A
3	Innermold	PE Low density	PS00-000201	N/A
2	Conn	HDMI 19P A type male,pin G/F,black insulation/LCP shell-steel G/F	C010P-002	2PCS
1	Cable	UL20276(26#BC/1P+ADM)/5C+30#BC/3C+28#BC/1C+A+E+B(65%,AL-MG) OD8.5mm black matt PVC Jacket(CL2), with net:4x(3x0.20mm)green/32x(3x0.20mm)black PET	W56-26014.085114.03	1830±10mm

Mould number:	Customer: M018UA	Customer P/N: HA-HHXS-06	Article No./ HL-GC-001				
	Designed by: Pillar	Checked by:	Approved by	File number: D-0103	Date: 15/06/04	Scale: none	Unit: mm
Packing file:	My Cable Mart			Name: HDMI Cable 26AWG With Ethernet			
				P/N: HC.HH112626-0103		Edition: 5.0	Sheet: 1/3 A3