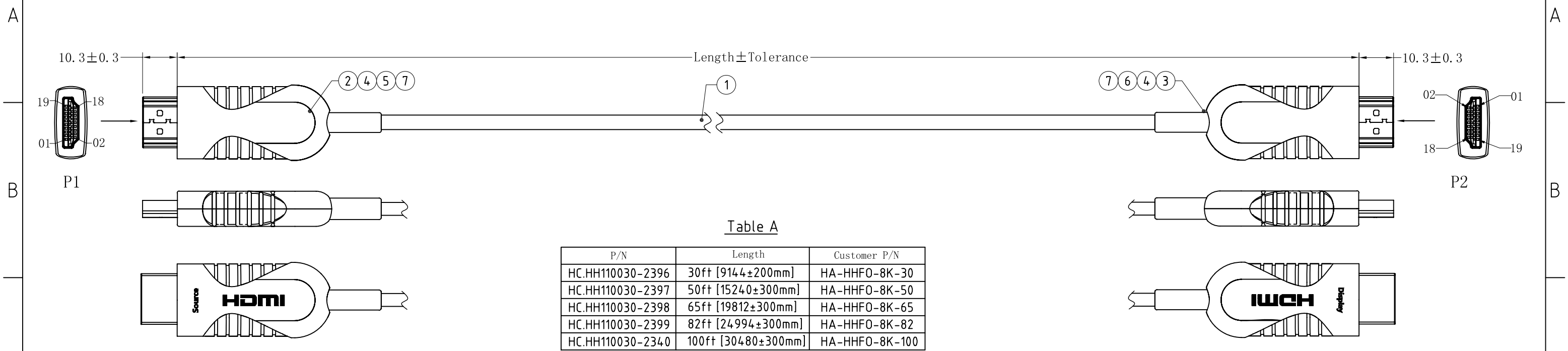


**RoHS Compliant**

REV.	Revision note	Date	Signature	Checked
1.0	Release to product	20/11/25	Darrick	

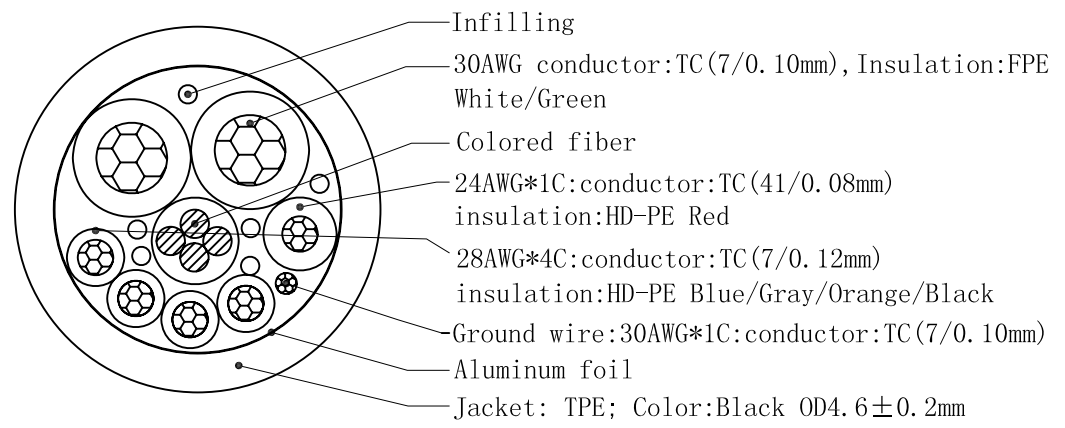


**Table A**

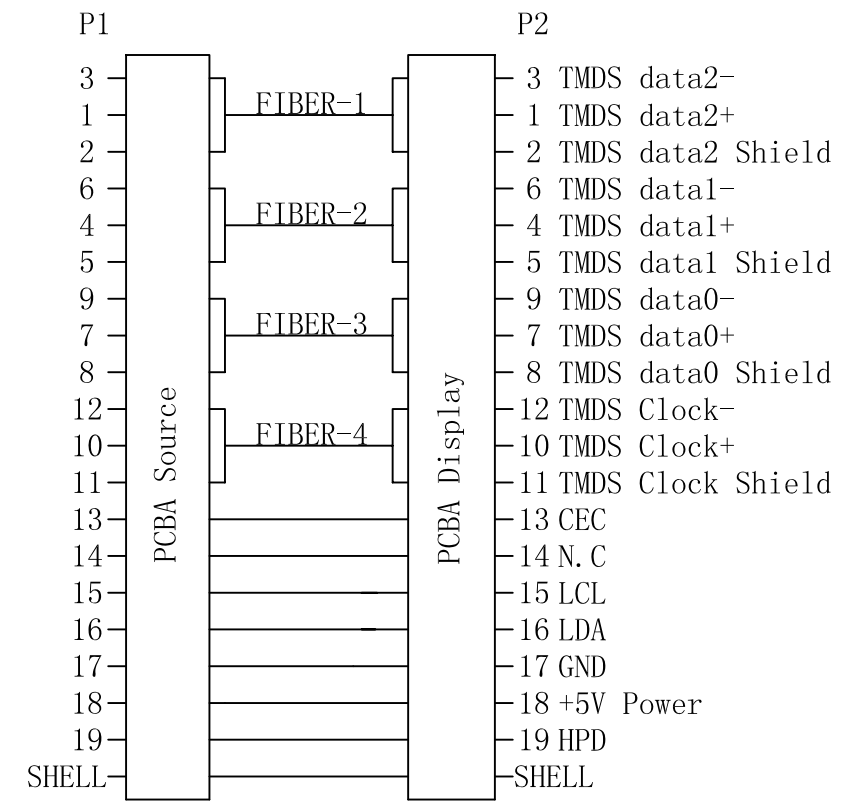
P/N	Length	Customer P/N
HC.HH110030-2396	30ft [9144±200mm]	HA-HHFO-8K-30
HC.HH110030-2397	50ft [15240±300mm]	HA-HHFO-8K-50
HC.HH110030-2398	65ft [19812±300mm]	HA-HHFO-8K-65
HC.HH110030-2399	82ft [24994±300mm]	HA-HHFO-8K-82
HC.HH110030-2340	100ft [30480±300mm]	HA-HHFO-8K-100

Function Test: By Player and TV test pass  
 1) Supports 8Kx4K/60Hz, 4K, 1080P, 720P, 3D  
 2) Supports color space BT.2020  
 3) Supports eARC (Within 20 meters)  
 4) 48.0Gbps bandwidth

**Wire Details**



**PIN ASSIGNMENT**



NO.	PART NAME	SPEC DESCRIPTION	PART P/N	REMARK
7	SR	PVC 60P black		
6	Shell	HDMI AOC Cover, Zinc alloy, Pearl gun color, Radium carving "Display"+"HDMI"		
5	Shell	HDMI AOC Cover, Zinc alloy, Pearl gun color, Radium carving "Source"+"HDMI"		
4	Shell	HDMI AOC Cover, Zinc alloy, Pearl gun color, Radium carving empty		
3	Conn+PCBA	HDMI 2.1 A/M, PIN Gold Plated, Shell/Copper Gold Plated, blue insulation, with PCBA(Display)		
2	Conn+PCBA	HDMI 2.1 A/M, PIN Gold Plated, Shell/Copper Gold Plated, blue insulation, with PCBA(Source)		
1	Cable	Optical fiber+30#(7/0.10TC)×2C+28#(7/0.12TC)×4C+24#(41/0.08TC)×1C+30#(7/0.10TC)+F+A, Black, TPE, OD4.6mm		

Mould number:	Customer: M018UA	Customer P/N: See Table A	Article No./ HL-GC-001				
Packing file:	Designed by: Darrick	Checked by:	Approved by:	File number: D-2396~2400	Date: 20/11/25	Scale: none	Unit: mm
	<b>My Cable Mart</b>			Name: 8k HDMI Active optical cable			
				P/N: HC.HH110030-2396~2400	Edition: 1.0	Sheet: 1/2 A3	