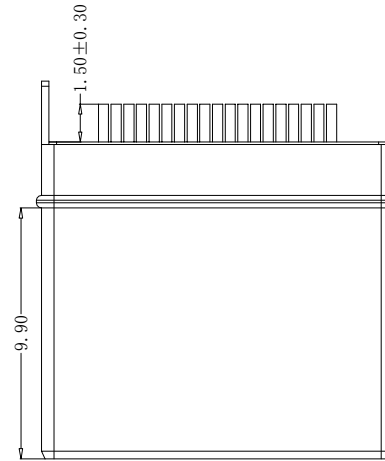
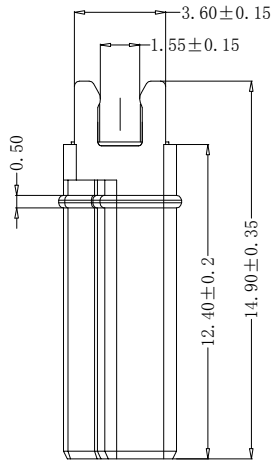
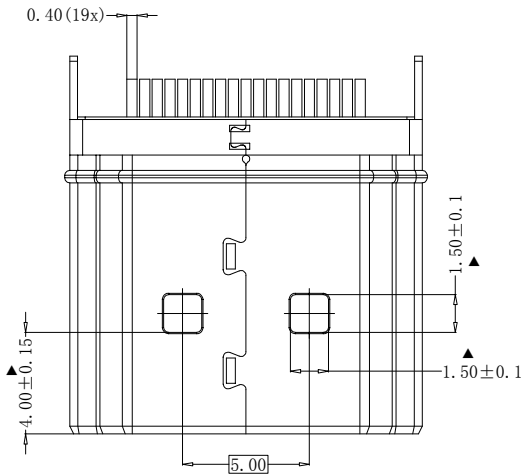
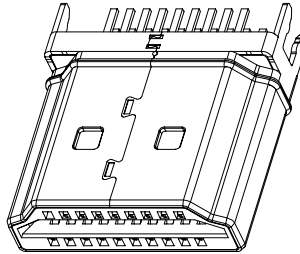
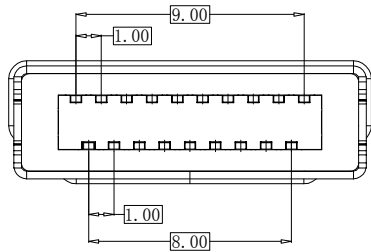
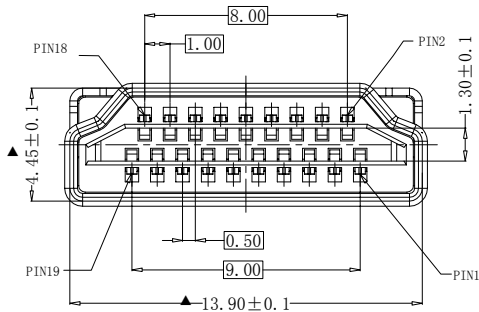


CUSTOMER DRAWING

REV.	ECN NO.	DESCRIPTION	DATE
A	ECN2013-XXX	NEW RELEASE	2013/05/12



- 规格:
- 耐久性:10000 CYCLES .AT100±50 CYCLES PER HOUR
  - 额定电流:0.5A Min
  - 额定电压:40V Max
  - 耐电压:500V AC Min (UNMATED)  
300V AC Min (MATED)
  - 接触阻抗:  
端子Change from initial value:30mΩ Max.  
外壳Change from initial value:50mΩ Max.
  - 绝缘电阻:100MΩ Min (UNMATED)  
10MΩ Min (MATED)
  - 工作温度: -0℃ TO 50℃
  - 所用材质须符合RoHS要求



序号	零件	数量	材料规格
④	后塞	1PCS	LCP (黑色)
③	胶芯	1PCS	LCP (黑色)
②	壳体	1PCS	spcc,T=0.30,表面镀锌
①	端子	19PCS	铜材05191 (HV180-210), T=0.25±0.02

**海威** 深圳市海威科技有限公司  
SHENZHEN HAIWEI TECHNOLOGY Co., LTD

UNLESS OTHERWISE SPECIFIED TOLERANCE X. ± 0.50 .X ± 0.25 .XX ± 0.15 X.* ± 1* .X* ± 0.5*	DESIGN:	XIE MEI	TITLE:	HDMI A公夹板式短脚 (T=1.6)
	VERIFIED:	/	PART NO.:	HW-1ALP-2K5111-G01
	APPROVED:	JONSON	CAD NO.:	C-HW-1ALP-2K5111-G01
			UNITS: mm	SCALE: 1:1 PAGE: 1/1