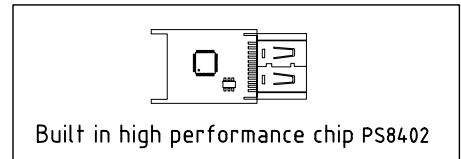
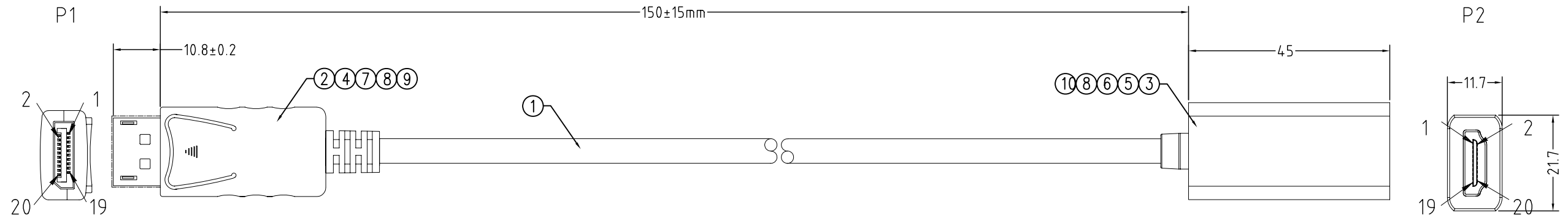


**RoHS Compliant**

REV.	Revision note	Date	Signature	Checked
1.0	Release to product	20/11/20	Darrick	



**PIN ASSIGNMENT**

	P1(DP/M)		P2(HDMI/F PCBA)	
Al foil	1	[Cable]	Red	1
	3		White	3
	5		Drain	5
Al foil	4	[Cable]	Brown	4
	6		White	6
	2		Drain	2
Al foil	7	[Cable]	Green	7
	9		White	9
	11		Drain	11
Al foil	10	[Cable]	Blue	10
	12		White	12
	8		Drain	8
Al foil	15	[Cable]	Orange	15
	17		White	17
	19		Drain	19
	18		Brown	18
	13		Yellow	13
	14		Purple	14
	20		Red	20
	SHELL		Drain	SHELL

**Electrical character:**

- 1)100% Open/short/Intermittent testing
- 2)Withstanding voltage:DC 300V AT 10ms.
- 3)Insulation resistance:10M Ohm(min)
- 4)Conductive resistance:2 Ohm(Max)
- 5)Support 4K@30Hz

NO.	PART NAME	SPEC DESCRIPTION	PART P/N	REMARK
10	LID	HDMI female black shell		
9	LID	DP dustcover		
8	Overmold	PVC,45Pa,black,UL94V-0		
7	Innermold	PE,Low density		
6	PCBA	BH-DPDM01B CHIP:PS8402 HDMI female 4K@30Hz		
5	Shell	HDMI shell 45mm black ABS		
4	Shell	DP shell,ABS,black		
3	Conn	HDMI female connector,PIN G/F,black insulation,shell-steel Ni plated		
2	Conn	DP male connector,PIN G/F,black insulation,shell-steel G/F		
1	Cable	{32AWG(7/0.08TC)×1P+D+AL/ML}×5P+32AWG(7×0.08TC)×5C+ADB,Black PVC Jacket OD5.5mm		

Mould number:	Customer: M018UA	Customer P/N: HA-HDP4K3-4IN	Article No./ HL-GC-001		
	Designed by: Darrick	Checked by:	Approved by	File number: D-2392	Date: 20/11/20
				Scale: none	Unit: mm
<b>Packing file:</b>	<b>My Cable Mart</b>			Name: DP male to HDMI male cable ,black	
				P/N: HC.DPH10032-2392	Edition: 1.0
					Sheet: 1/2