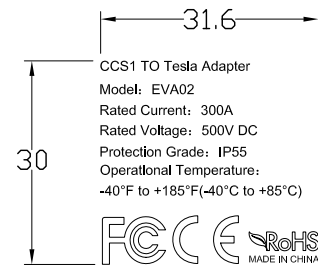
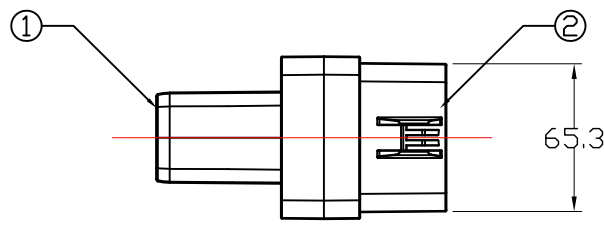
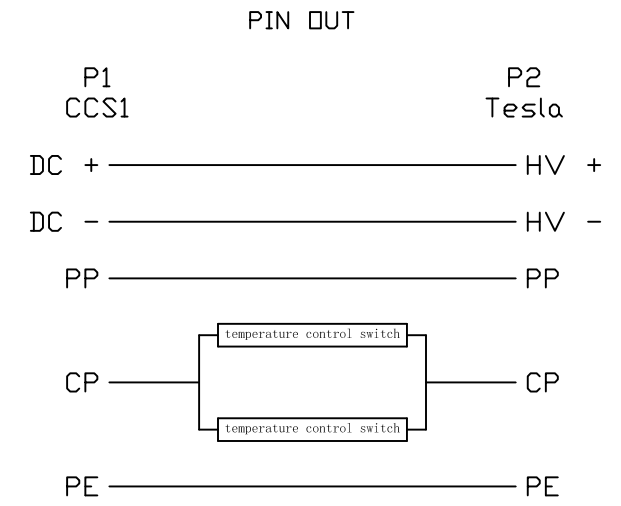
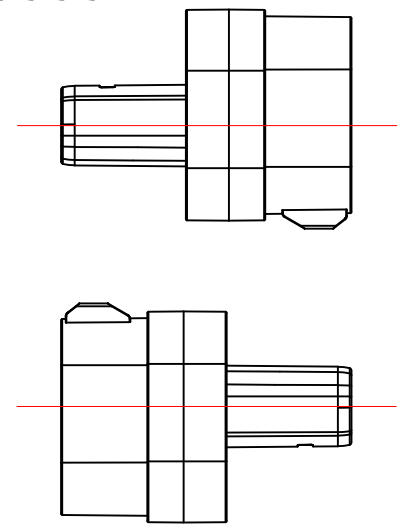
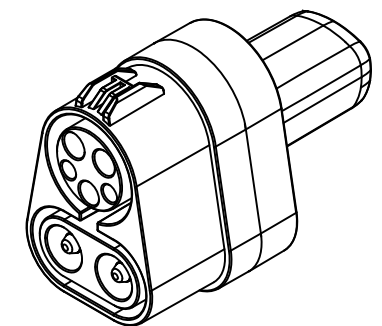
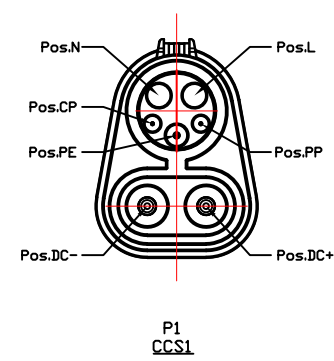
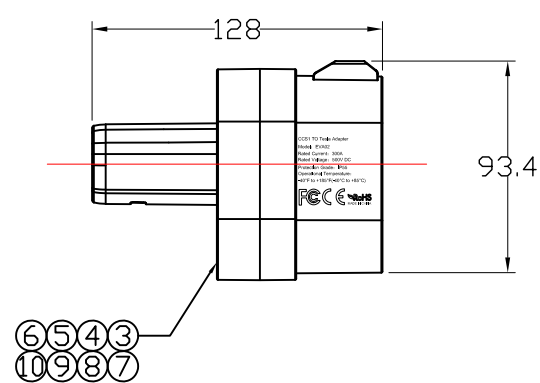
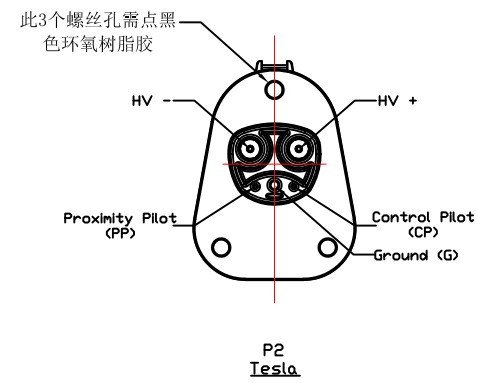


RoHS Compliant

RevNo	Revision note	Date	Signature	Checked
1.0	Product to release	23/08/04	Darrick	



Laser Engraving: 31.6x30mm



10	Ring	CP/PP terminal silica gel ring,black	xxx	
9	Ring	PE terminal silica gel ring 2,black	xxx	
8	Ring	PE terminal silica gel ring 1,black	xxx	
7	Ring	DC-/DC+ terminal silica gel ring 2,black	xxx	
6	Ring	DC-/DC+ terminal silica gel ring 1,black	xxx	
5	Terminal	CP/PP terminal,H62 Brass,silver plated	xxx	
4	Terminal	PE terminal,H62 Brass,silver plated	xxx	
3	Terminal	DC-/DC+ terminal,H62 Brass,silver plated	xxx	
2	Connector	CCS1 female connector,PA66+25%GF,black UL 94-V0	xxx	
1	Connector	Tesla male connector,PA66+25%GF,black UL 94-V0	xxx	
NO.	PART NAME	SPEC DESCRIPTION	PART P/N	REMARK

Mould number:	Customer: -	Customer P/N: -	Article No./ HY-GC-001	
	Designed by: Darrick	Checked by:	Approved by - date:	File name: D-xxx
				Date: 23/08/04
				Scale: None
				Unit: mm
Packing file:	My Cable Mart			Name: CCS1 to Tesla(NACS) Charger Adapter
				Number: HA-A0002
				Edition: 1.0
				Sheet: 1/2 A3