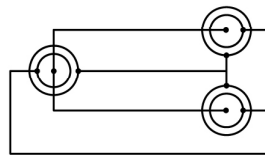
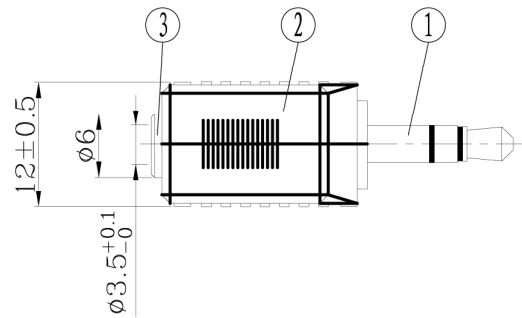
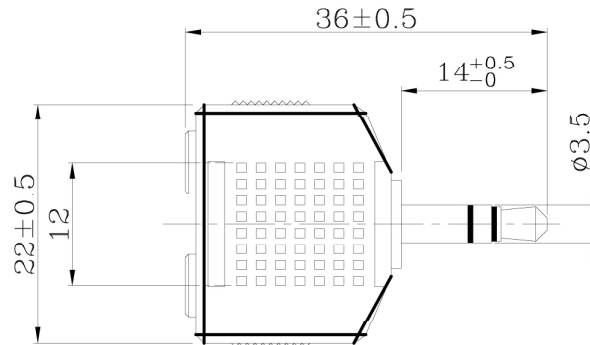


XX	± 0.2
X	± 0.1
.X	± 0.05
.XX	± 0.02
.XXX	± 0.005



technical specs

- 1、 contact resistance: $\leq 0.1\Omega$
- 2、 insulation resistance: $\geq 100M\Omega$
- 3、 insulation withstand voltage: 500V AC/1min
- 4、 Insertion and Extraction Force: 2-22N

S/N	Item	Qty.	Material	surface treatment
	3 3.5mm Jack	2	zinc alloy	D, Ni
	2 Housing	1	black ASB	
	1 3.5mm plug	1	Brass	D, Ni



3.5mm stereo plug / 2*3.5mm stereo Jack

FS-ADT-144