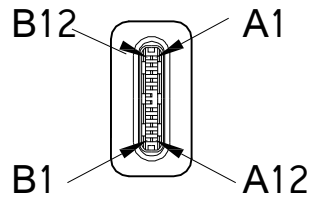
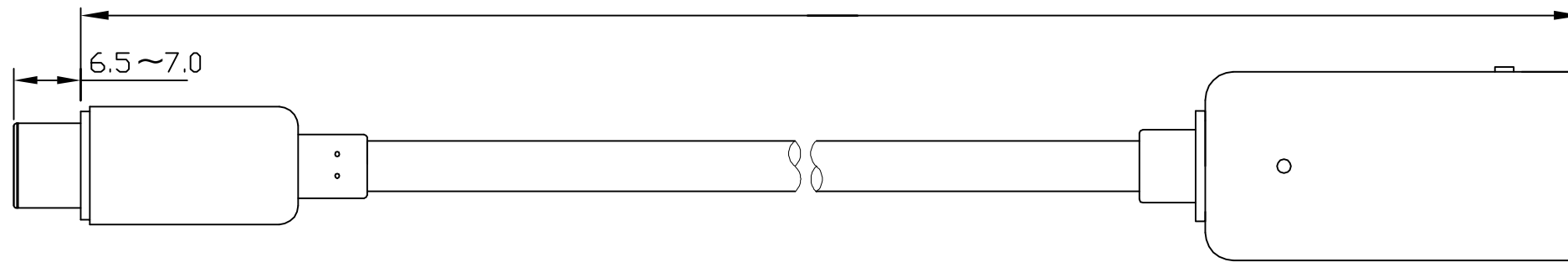
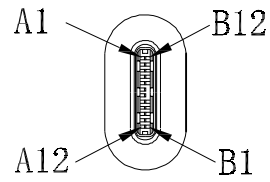
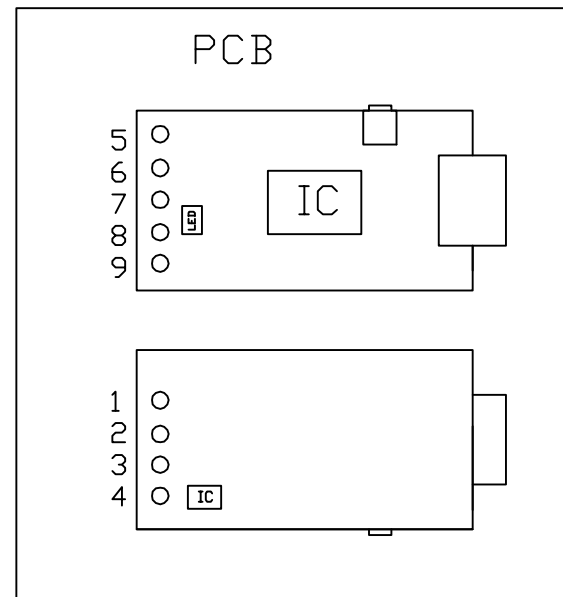
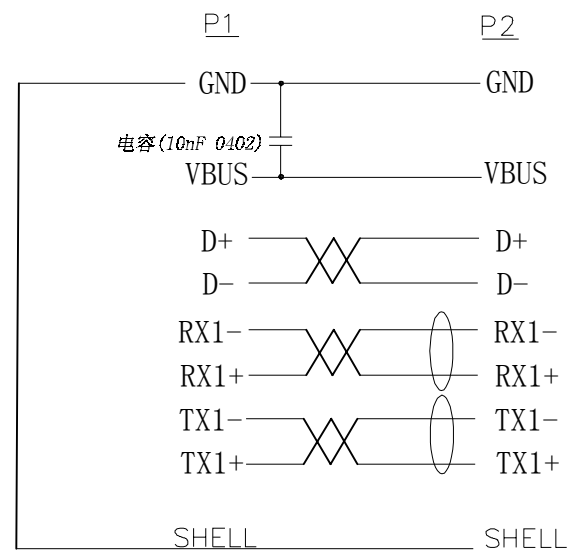


P1

P2



PIN ASSIGNMENT



CUSTOMER P/N	length
FE-USB-CX-06	6<FT>1830MM ± 50MM
FE-USB-CX-10	10<FT>3050MM ± 80MM
FE-USB-CX-16	16<FT>5000MM ± 100MM

8		
7		PE BAG+LABEL
6		ABS SHELL
5		PE
4		PCV45Pa Black
3		TYPE-CF+PCB
2		TYPE-CM C-10NF R=5.1K
1		USB3.0 CABLE (28AWG*1P+EAM)*2C+28AWG*1P+22AWG*2C+ ADB OD:5.5MM BLACK
NO.	Material	Description

MY CABLE MART LLC

Title: USB3.0 CABLE TYPE-CM TO CF			
Customer:	Page:1/1	Drawn BY:CLR	
Customer P/N:	REV:A	Check BY:DYH	
Date:2024.01.11	Drawing NO.:FUCC02	Unit:mm	Appd BY: