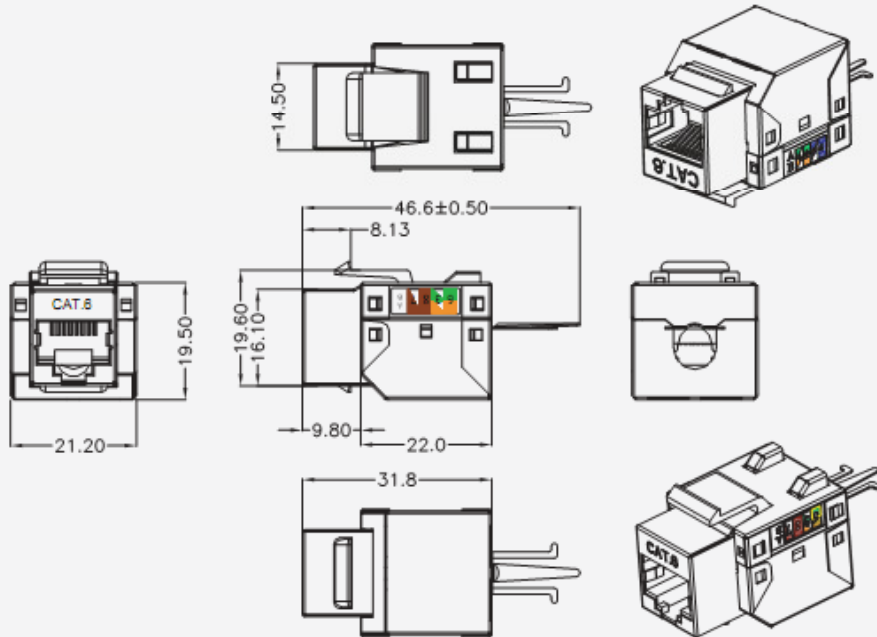


# MY CABLEMART LLC

## FE-KEY-C6S



### NOTES:

#### ELECTRICAL:

- |                         |                                    |
|-------------------------|------------------------------------|
| 1.VOLTAGE RATING        | : 125 VAC RMS                      |
| 2.CURRENT RATING        | : 1.5 AMP                          |
| 3.CONTACT RESISTANCE    | : 100 MILLIOHMS MAX                |
| 4.INSULATION RESISTANCE | : 1000 MEGOHMS MIN @ 500 VDC       |
| 5.DIELECTRIC STRENGTH   | : 750 VAC RMS 60Hz,1MIN            |
| 6.C6 PERMANENT LINK     | : CONFORM TO ANI/TIA/EIA-568 B.2-1 |

#### ENVIRONMENTAL:

- |             |                |
|-------------|----------------|
| 1.STORAGE   | : -40° TO +85° |
| 2.OPERATION | : 0° TO 70°    |

MATES WITH MODULAR PLUG CONFORMING TO FCC PART 68,SUBPART F.

#### MECHANICAL:

- |                         |   |
|-------------------------|---|
| 1.SHIELD MATERIAL       | : BRASS T=0.30mm NICKEL PLATING           |
| 2.HOUSING MATERIAL      | : PC UL94V-0                              |
| 3. INSERT MATERIAL      | : FLAME RETARDANCY ABS UL94V-0            |
| 4. PCB MATERIAL         | : FR-4 THICKNESS:1.6mm                    |
| 5. CONTACT MATERIAL     | : PHOSPHOR BRONZE STAMP PIN T=0.35mm      |
| 6. IDC CONTACT MATERIAL | : PHOSPHOR BRONZE T=0.50mm NICKEL PLATING |
| 7. WIRE                 | : AWG 24~26                               |