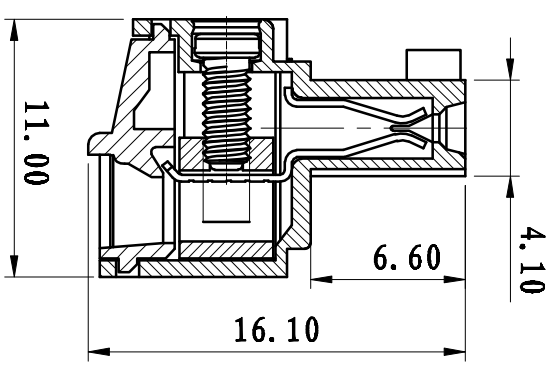
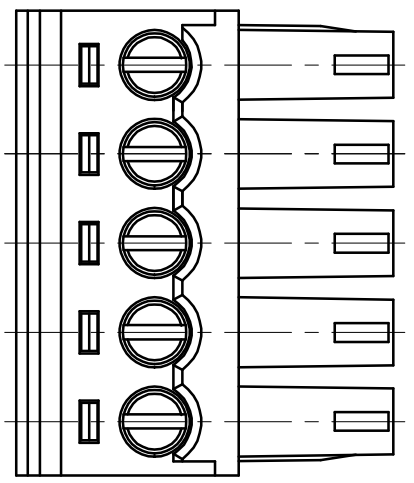
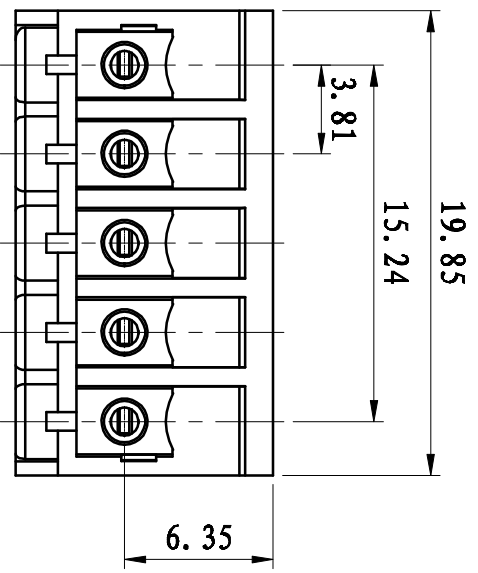


REV.	REVISION	DESCRIPTION	NO.	DATE
1	1	零件		



NOTES:

1. Voltage Rating: 300V, Current Rating: 8A
2. PITCH: 3.81mm
3. Insulation Withstands Voltage: AC2500V/min
4. Insulation Resistance: 500MΩ or more at DC500V
5. Using Temperature Range: -40° C ~ +105° C
6. Suitable Electric Wire: 28-16AWG
7. Screw Torque Value: 0.2Nm

技术要求:

1. 额定电压: 300V, 额定电流: 8A
2. 间距: 3.81mm
3. 耐电压值: AC 2500V/min
4. 绝缘电阻: 500兆欧
5. 使用条件: -40° ~ +105°
6. 适用线规: 28-16AWG
7. 螺丝扭力: 0.2Nm

pitch dimension	Nominal dimension				
	over	over	over	over	over
0 to 6	6 to 10	10 to 24	0 to 30	30 to 60	60 to 100
6 to 10	10 to 15	24 to 30	30 to 60	60 to 100	100 to 150
±0.1	±0.15	±0.25	±0.2	±0.3	±0.5
				±0.7	±1.0
					0.05/10

NO.	NAME OR PART	NO. OR PART	QTY	MATERIAL	NOTES
1	LCI-3.81-本体	1002A073XV	1	PA6-70	
2	LCI-3.81-端子	1002C073XV	1	PA6-70	
3	LCI-3.81-绝缘胶	E1A00L23813V	5	黄蜡	
4	LCI-3.81-端子	1002B0011XV	5	磷青铜	
5	LCI-3.81-螺丝	SPW1284801V	5	碳钢	

DES.	DATE	2010/5/8	UNITS	mm	THIRD ANGLE PROJECTION
CHK.	DATE		SIZE	A4	
APP.	DATE		SCALE	1:1	

MY CABLE MART LLC	TITLE	LCI-3.81-SP-1T-00A
		LCI-3.81-成品