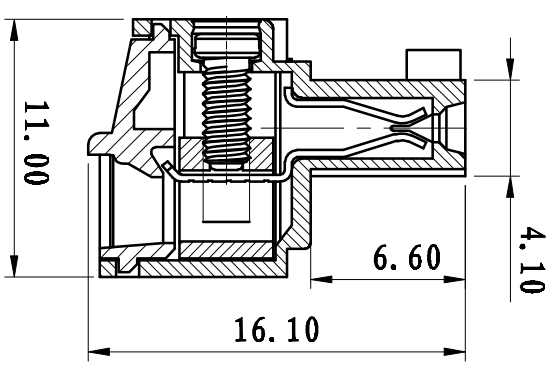
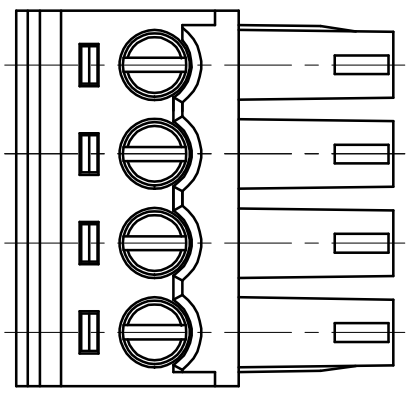
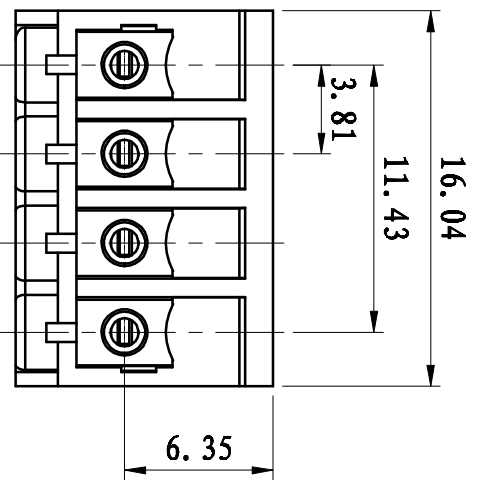


REV.	REVISION	DESCRIPTION	NO.	DATE
1	1	首次件		



NOTES:

1. Voltage Rating: 300V, Current Rating: 8A
2. PITCH: 3.81mm
3. Insulation Withstands Voltage: AC2500V/min
4. Insulation Resistance: 500MΩ or more at DC500V
5. Using Temperature Range: -40° C ~ +105° C
6. Suitable Electric Wire: 28-16AWG
7. Screw Torque Value: 0.2Nm

技术要求:

1. 额定电压: 300V, 额定电流: 8A
2. 间距: 3.81mm
3. 耐电压值: AC 2500V/min
4. 绝缘阻抗: 500兆欧
5. 使用条件: -40° - +105°
6. 适用线规: 28-16AWG
7. 螺丝扭力: 0.2Nm

pitch dimension	Nominal dimension					Tolerance	
	over 0 to 6	over 6 to 10	over 10 to 24	over 0 to 30	over 30 to 60		over 60 to 100
±0.1	±0.15	±0.25	±0.2	±0.3	±0.5	±0.7	±1.0
							0.05/10

NO.	NAME OR PART	NO. OR PART	QTY	MATERIAL	NOTES
1	LCI-3.81-本体	1002A073XIV	1	PA6-70	
2	LCI-3.81-端子	1002C073XIV	1	PA6-70	
3	LCI-3.81-绝缘胶	E1A00L03813V	5	黄蜡	
4	LCI-3.81-端子	1002B0011XIV	5	磷青铜	
5	LCI-3.81-螺丝	SPW1284801V	5	碳钢	

CHK.	DATE	SIZE	SCALE	DWG NO.	TITLE
		A4	1:1	SP-2-1002002	LCI-3.81-IP-11-00A

MY CABLE MART LLC