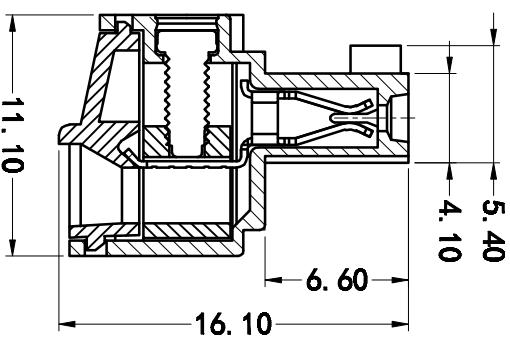
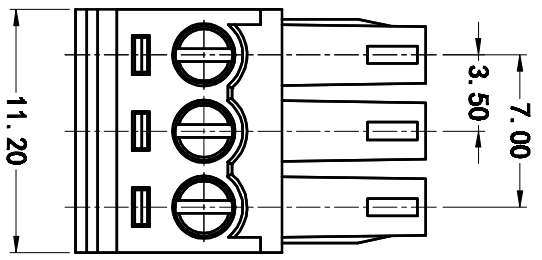
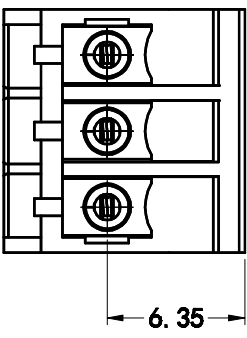


REVISION RECORD		
REV.	CONTENT	DATE
①	初次发行	



- NOTES:**
- Voltage Rating: 300V, Current Rating: 8A
 - PITCH: 3.5mm
 - Insulation Resistance Voltage: AC500V/1min
 - Insulation Resistance: 50M Ohm min at AC500V
 - Wing Temperature Range: -40° C - +105° C
 - Delicible Electric Wire: 2#-16 AWG
 - Score Torque Value: 0.2Nm
- 技术要求:**
- 额定电压: 300V, 额定电流: 8A
 - 间距: 3.5mm
 - 耐压电压: AC500V/1min
 - 绝缘电阻: 50M欧姆
 - 使用条件: -40° - +105°
 - 适用线规: 2#-16 AWG
 - 螺丝扭矩: 0.2Nm

pitch dimension	Nominal dimension					
	over 0 to 6	over 6 to 10	over 10 to 24	over 0 to 30	over 30 to 60	over 60 to 100
variable range	0 to 6	6 to 10	10 to 24	0 to 30	30 to 60	60 to 100
Tolerance	±0.1	±0.15	±0.25	±0.2	±0.3	±0.5

NO.	NAME OF PART	NO. OF PART	Q'TY	MATERIAL	NOTES
5	LC1-3-81-螺丝	SP07A204801Y	P	碳钢	三价铬钝化彩锌
4	LC1-3-81-铜方块	FLADBLC3813Y	P	黄铜	镀锌
3	LC1-3-81-夹子	1002B0001AY	P	磷青铜	镀锌
2	LC1-3-5-盖子	1021C0YXXAY	1	PA66-V0	
1	LC1-3-5-本体	1021A0YXXAY	1	PA66-V0	

DES.	AKTIVE	DATE	11-04-06	UNITS	MM	THIRD ANGLE PROJECTION	SHEET
CHK.		DATE		SIZE	A4		1 of 1
APP.		DATE		SCALE	1:1		REF: Y0

MY CABLE MART LLC **TITLE** LC1-3-5-3#-1Y-00A
LC1-3-5-成品