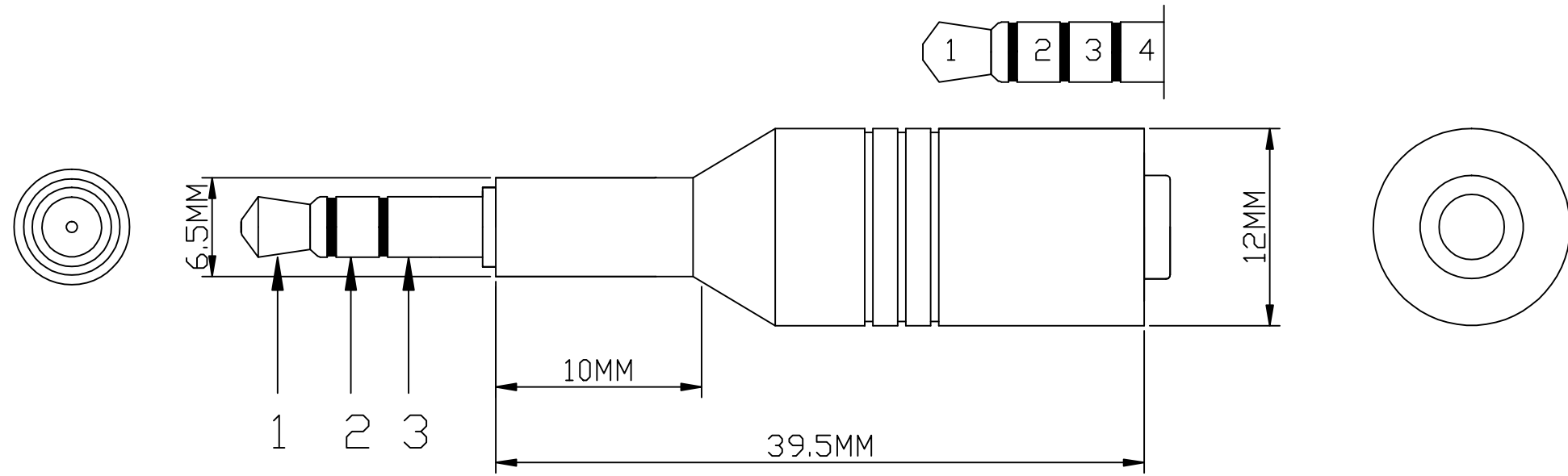


P1



P2

PIN ASSIGNMENT:

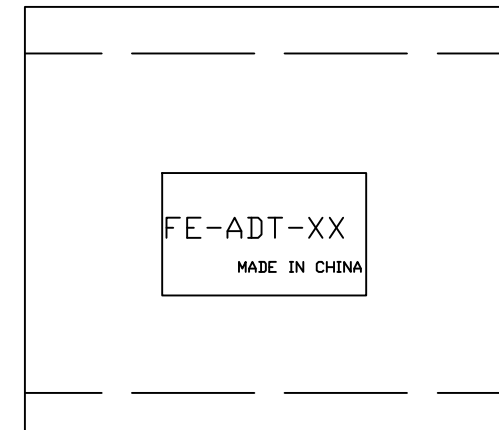
(3.5mm Stereo Male)P1:

1            2            3

(3.5mm 4 Conductor Female)P2:

1            2            3+4

Left        Right        Ground



8		
7		
6		
5		PE BAG+LABEL
4		Molded PCV45Pa Black
3		Molded PE Material
2		3.5MM 4 Conductor Female Nickel Plated
1		3.5MM Stereo Male Nickel Plated
NO.	Material	Description

**MY CABLE MART LLC**

Title: 3.5mm 4 Conductor Female TO 3.5mm Stereo Male Adapter			
Customer: MY CABLE MART LLC	Page: 1/1	Drawn BY: CLR	
Customer P/N: FE-ADT-349	REV: A	Check BY: DYH	
Date: 2018.05.31	Drawing NO.:	Unit: mm	Appd BY: