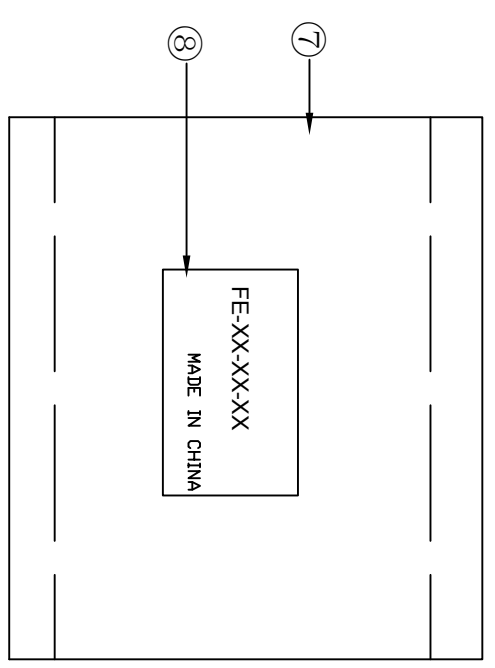


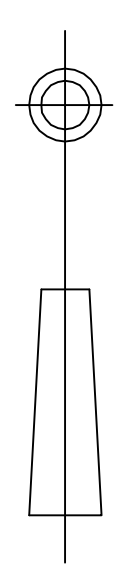
- NOTES:
1. 100% OPEN & SHORT TESTING
 2. VOLTAGE: 300V DC
 3. INSULATION RESISTANCE: 20M ohm
 4. CONTACT RESISTANCE: 10ohm

8		
7		
6		
5		PE BAG+LABEL
4		PCV45Pd BLACK
3		RJ45 FEMALE SHIELDED
2		RJ45 MALE SHIELDED
1		NO-UL CABLE
NO.	Material	Description



MY CABLE MART LLC

Title:
CAT6 UTP ADAPTER RJ45 M/F



Customer: MY CABLE MART LLC		Page: 1/1	Drawn BY: CLR
Customer P/N: FE-ADT-341		REV: A1	Check BY: DYH
Date: 2016.08.15	Drawing NO.: FLUF12	Unit: mm	Appd BY: