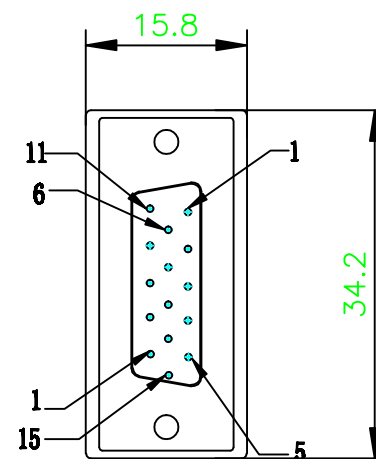
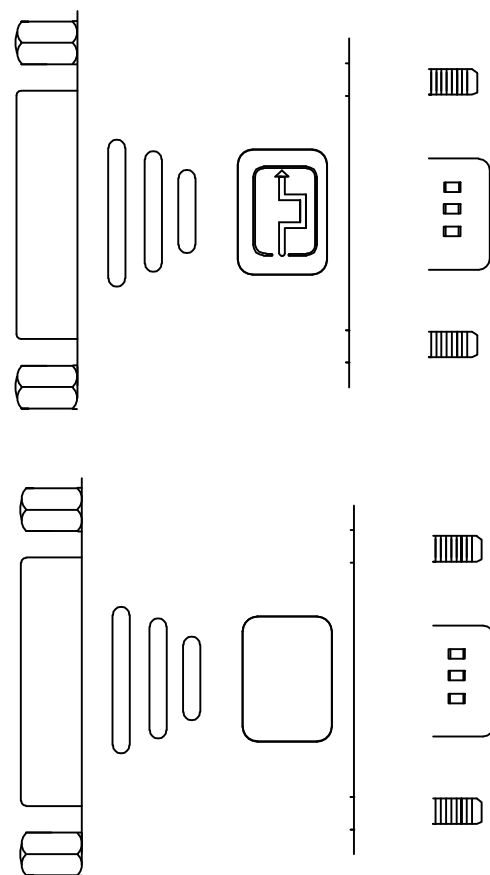
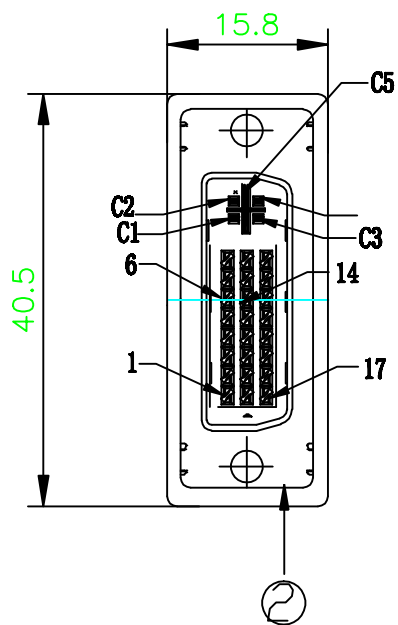
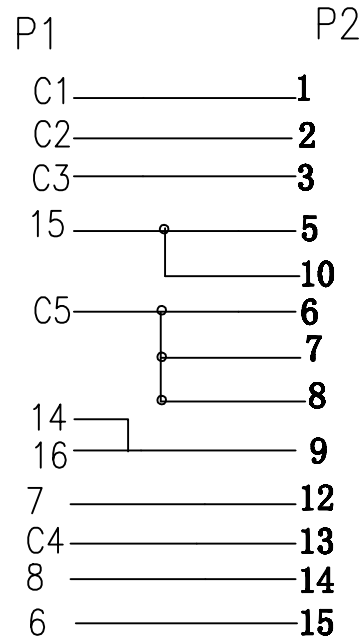


P1

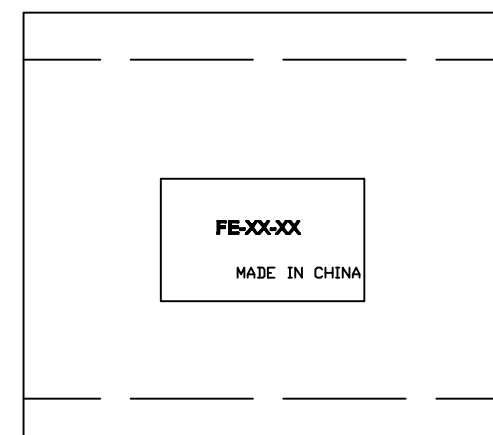
PIN ASS.



P2

NOTES:

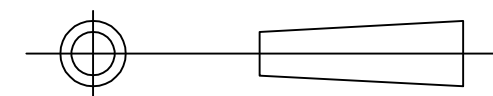
1. 100%OPEN&SHORT TESTING
2. VOLTAGE:300V DC
3. INSULATION RESISTANCE:20M ohm
4. CONTACT RESISTANCE:5ohm



8		
7		
6		PE BAG+LABEL
5		PCV45Pa Black
4		Screw: 23*5.5MM
3		DVI 24+5 F gold plated
2		VGA 15P M gold plated
1		1007 28AWG
NO.	Material	Description

MY CABLE MART LLC

Title: **DVI24+5 F TO VGA (15PIN) M ADAPTER, GOLD PLATED**



Customer: MY CABLE MART LLC

Page: 1/1

Drawn BY: CLR

Customer P/N: FE-ADT-120

REV: A1

Check BY: DYH

Date: 2018.09.05

Drawing NO.: FADV02

Unit: mm

Appd BY: