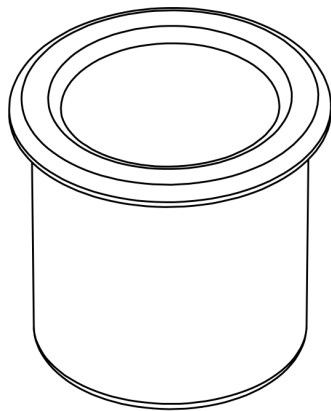
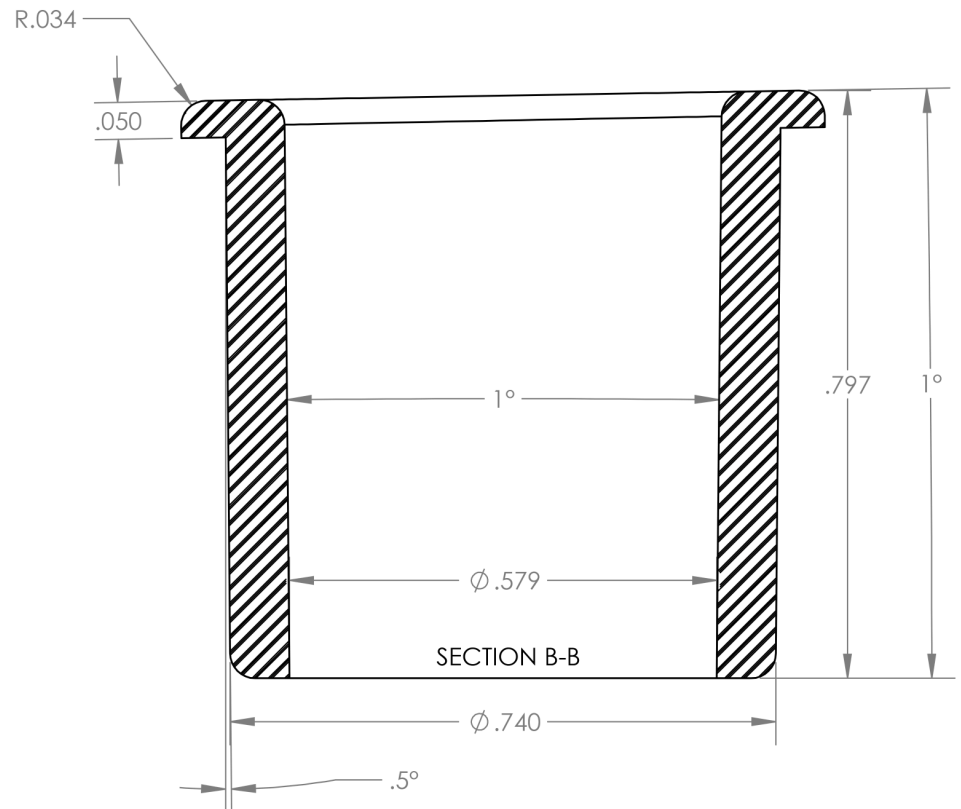
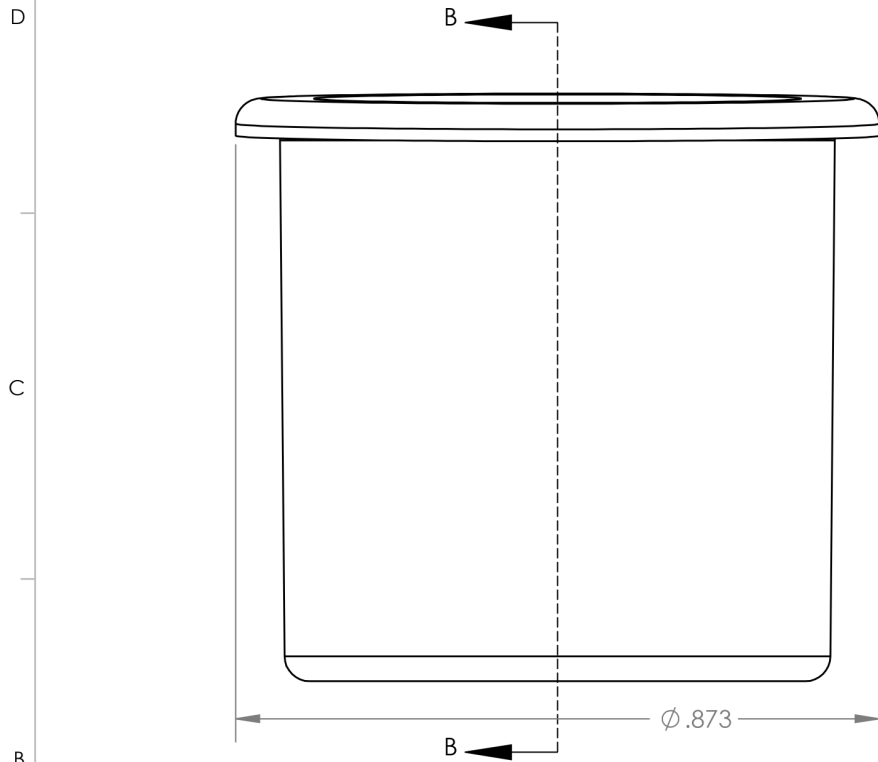


- NOTES:
 1. REFER TO 3D CAD FOR COMPLETE GEOMETRY
 2. BREAK ALL SHARP EDGES

REVISIONS			
REV.	DESCRIPTION	DATE	APPROVED
P01	INITIAL CONCEPT	2/26/18	
P02	WALL THICKNESS CHANGE; TILT CHANGE	7/10/18	
P03	FILLETS ADDED	11/7/18	



PART FILE NAME: 180224
 REVISION: P03

UNLESS OTHERWISE SPECIFIED:		DATE	NAME
DIMENSIONS ARE IN INCHES AND MILLIMETERS [MM]. TOLERANCES:		12.18.18	Soderstrom
INCHES		MM/DD/YY	XXXX
MILLIMETERS		MM/DD/YY	N/A
.X :	±0.1 [X] : [±3]	MM/DD/YY	N/A
.XX :	±0.03 [X.X] : [±0.8]	MM/DD/YY	N/A
.XXX :	±0.015 [X.XX] : [±0.38]	MM/DD/YY	N/A
ANGULAR:		MM/DD/YY	N/A
MACHINE: ±0.5°, BEND: ±1.0°		MM/DD/YY	N/A
GEOMETRIC TOLERANCING PER: ASME-Y14.5-94			
MATERIAL: HIPS			
DO NOT SCALE			

MY CABLE MART		
TITLE: #1108 ¼ Hole Liner		
SIZE: A	DRAWING NUMBER: 180224	REV: P03
SCALE: 4:1	WEIGHT: 2.72 g	SHEET 1 OF 1

PROPRIETARY AND CONFIDENTIAL: THE INFORMATION CONTAINED IN THIS DRAWING IS THE SOLE PROPERTY OF BAINBRIDGE MANUFACTURING, INC. ANY REPRODUCTION IN PART OR AS A WHOLE WITHOUT THE WRITTEN PERMISSION OF BAINBRIDGE MANUFACTURING, INC. IS PROHIBITED.

