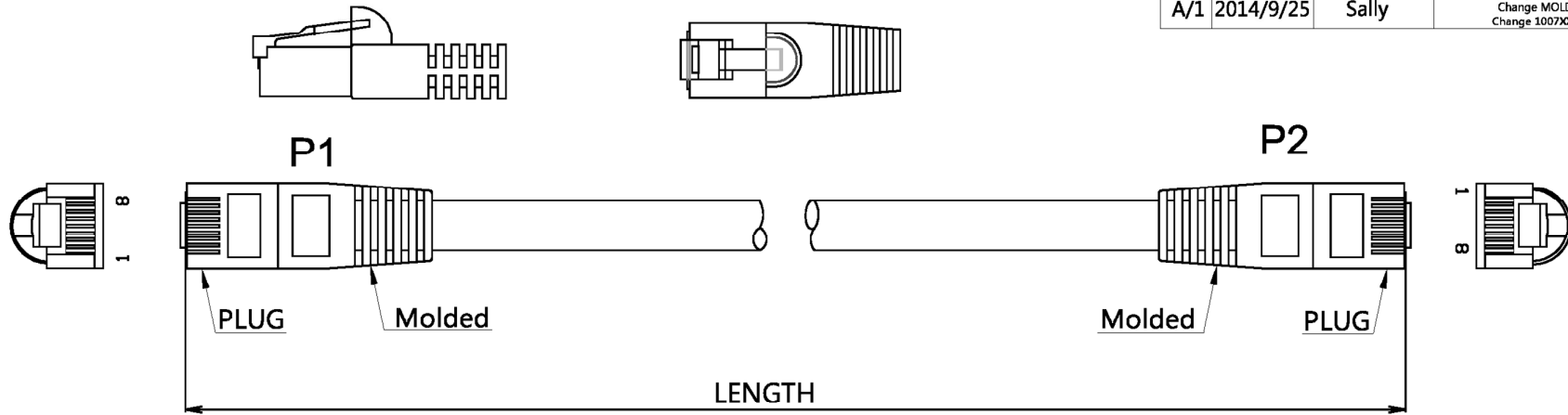
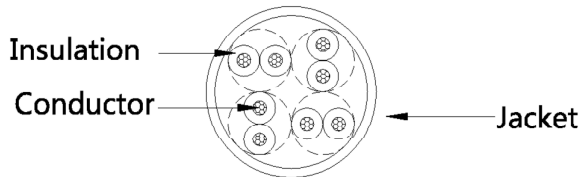


NOTE: ALL MATERIAL COMPLIANT ROHS STANDARD

REVISION INFORMATION			
Rev.	Rev. Date	Modified By	Brief Description
A/0	2014/9/12	Sally	NEW
A/1	2014/9/25	Sally	Change the color(delete pink) Change MOLDING to Molded Change 10070XY to 10070XY



Marking: YFC CAT.6 UTP ISO/IEC 11801 & EN 50288 & ANSI/TIA-568-C.2 ETL/3P VERIFIED ▲ 24AWGX4P (FP0555) PATCH TYPE CMX (UL) c(UL) CMH E164469-F3



orange 2 white/orange	green 3 white/green
blue 1 white/blue	brown 4 white/brown

Length (Ft)	Tolerance (+/- inch)	Tolerance (%)	Length (Ft)	Tolerance (+/- inch)	Tolerance (%)
0.5	0.6	10.00%	15	3.15	1.75%
1	1.2	10.00%	20	4	1.67%
1.5	1.2	6.67%	25	4	1.33%
2	1.2	5.00%	30	6	1.67%
3	1.2	3.33%	35	6	1.43%
4	1.2	2.50%	40	6	1.25%
5	1.2	2.00%	50	6	1.00%
6	1.2	1.67%	75	6	0.67%
7	2	2.38%	100	6	0.50%
8	2	2.08%	125	6	0.40%
9	2	1.85%	150	6	0.33%
10	2	1.67%	175	6	0.29%
12	2	1.39%	200	6	0.25%

Conductor	Bare Copper 24AWG
Insulation	Thickness:MIN at any point:0.15mm MAX AVG:0.25mm Diameter:1.03±0.06mm
Jacket/PVC	Thickness:MIN at any point:0.60mm MAX AVG:0.70mm Diameter:5.8±0.15mm
Wire	CAT.6 UTP 24AWG*4P
Plug	8P8C 50u" YU-19
Color	green/black/blue/red/white/grey/ yellow/purple/orange
PAPT NAME	SPECIFICATION DESCRIPTION

PA/R	PINOUT		
	P1(T568B)	WIRE	P2(T568B)
2	1	WHT/ORG	1
	2	ORG	2
3	3	WHT/GRN	3
	6	GRN	6
1	4	BLU	4
	5	WHT/BLU	5
4	7	WHT/BRN	7
	8	BRN	8

**My Cable Mart LLC**

DRAWN BY	Sally	DATE:	2014/9/25	DESCRIPTION:	CAT.6 UTP 24AWGX4P YU-19 L-898
CHECKED BY	蘇秀芬	SHEET	1 of 1	ITCM NO.	10070XY
APPROVED BY	研發部	SCALE	1:1	REV.	00
				UNIT:	mm