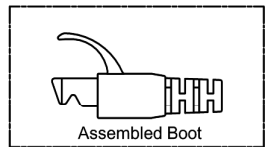
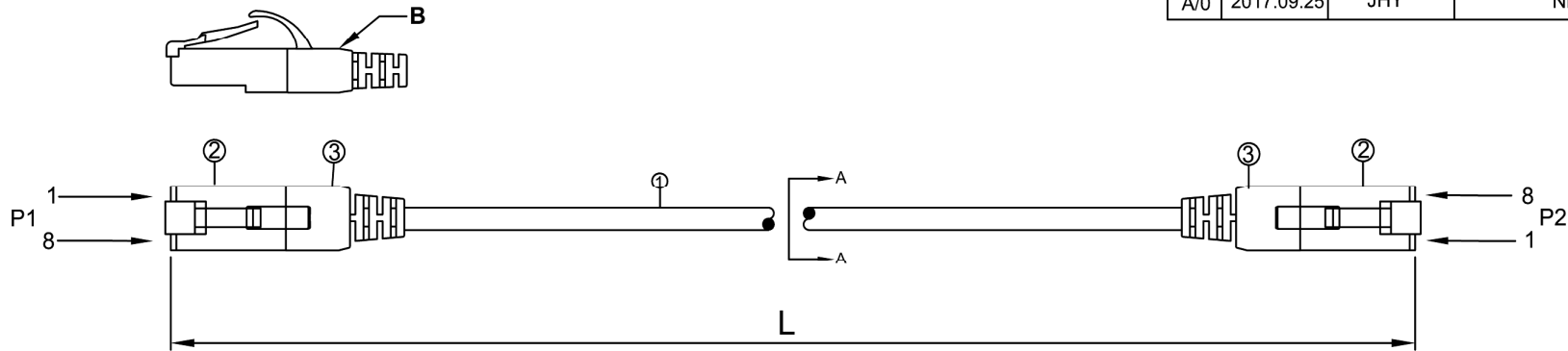


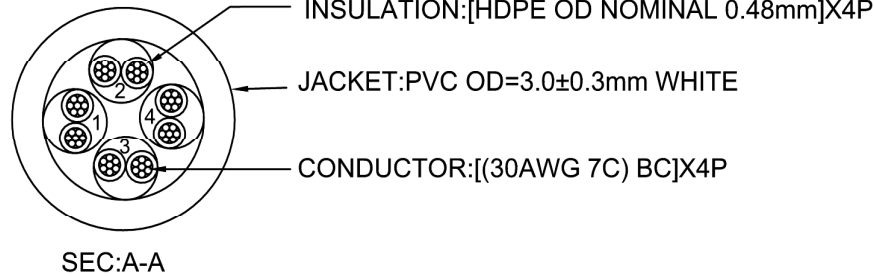
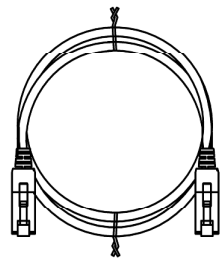
NOTE: ALL MATERIAL COMPLIANT ROHS STANDARD

REVISION INFORMATION			
Rev.	Rev. Date	Modified By	Brief Description
A/0	2017.09.25	JHY	NEW



B

INK MARKING: CAT.6 UTP PATCH CONFORMS TO ANSI/TIA-568-C.2 & ISO/IEC 11801 30AWGX4P



conductor resistance: 374↓ (Ω/Km) at 20°C

L(ft)	T(inch)	T(%)	L(ft)	T(inch)	T(%)
0.5	±0.6	10%	6	±1.2	1.67%
1	±1.2	10%	7	±2	2.38%
1.5	±1.2	6.67%	8	±2	2.08%
2	±1.2	5%	9	±2	1.85%
3	±1.2	3.33%	10	±2	1.67%
4	±1.2	2.5%	12	±2	1.39%
5	±1.2	2%	15	±3.15	1.75%

PINOUT		
P1	WIRE	P2
1	WHITE/ORANGE	3
2	ORANGE	6
3	WHITE/GREEN	1
6	GREEN	2
5	WHITE/BLUE	5
4	BLUE	4
7	WHITE/BROWN	7
8	BROWN	8

orange 1	green 2
white/orange	white/green
blue 3	brown 4
white/blue	white/brown

NO.	PART NAME	SPECIFICATION DESCRIPTION	QTY	UNIT
③	BOOT	PVC Transparent	2	
②	PLUG	8P8C 50U RJ45	2	
①	CABLE	CAT.6 UTP PVC 30AWG*4P GY177	1	

My Cable Mart

DRAWN BY JHY	DATE: 2017/09/25	DESCRIPTION: CAT.6 UTP PVC 30AWG*4P GY177
CHECKED BY JZY	SHEET 1 of 1	ITEM NO.: 10018XXX 10019XXX
APPROVED BY Lander	SCALE 1:1	REV. 00 UNIT:mm