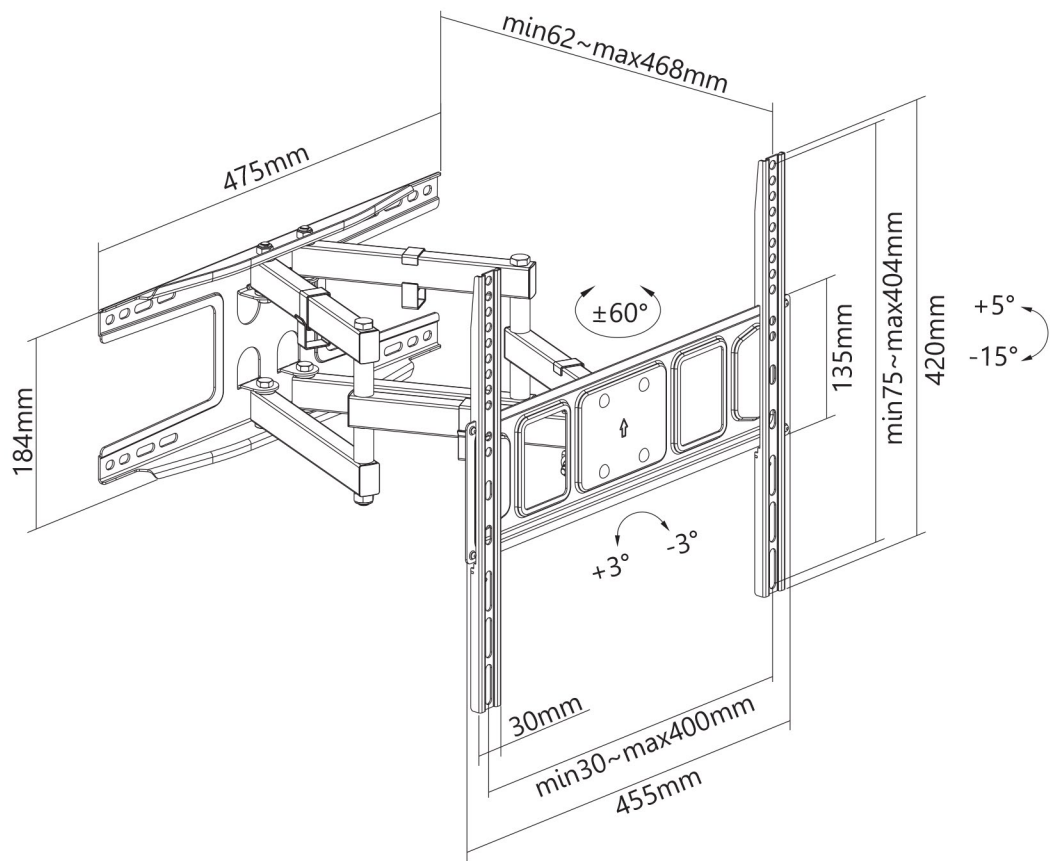
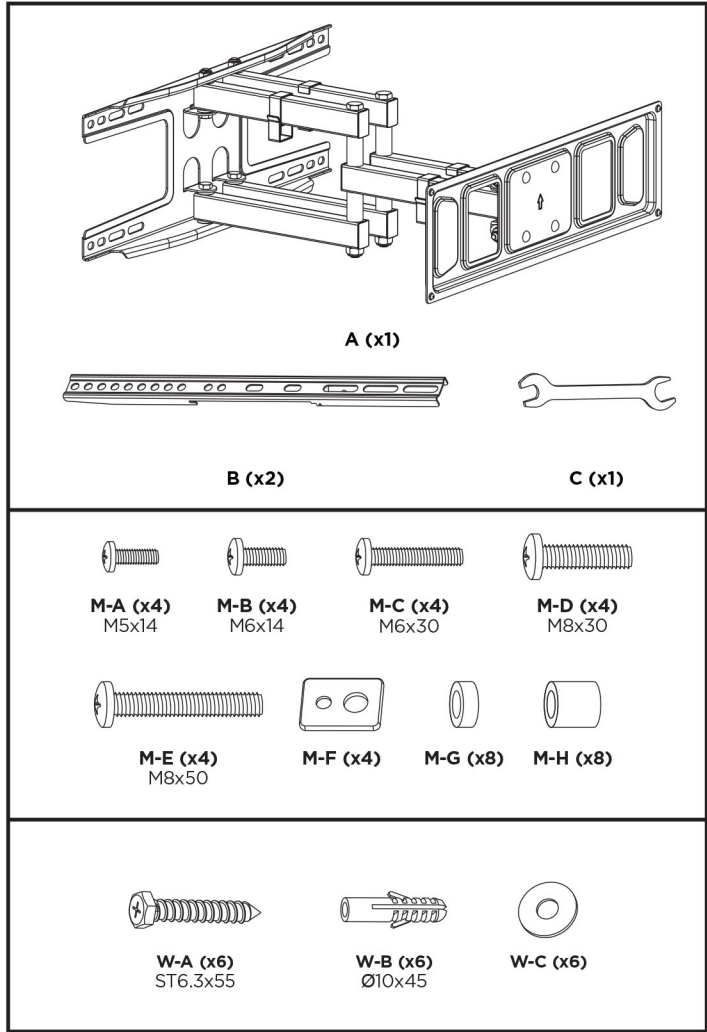


NOTE: ALL MATERIAL COMPLIANT ROHS STANDARD

REVISION INFORMATION			
Rev.	Rev. Date	Modified By	Brief Description



MY CABLE MART

DRAWN BY	DATE: 2021/2/18	DESCRIPTION: Full Motion TV Wall Mount LPA63-446
CHECKED BY	SHEET 1of1	ITEM NO. 502684BK
APPROVED BY	SCALE 1: 1	REV. 00 UNIT:mm

Unless specified on the drawing, tolerances are per the follows:
 .x +1
 .xx +0.2
 .xx +0.05

NO.	PART NAME	SPECIFICATION DESCRIPTION	QT'Y	UNIT
③				
②				
①				