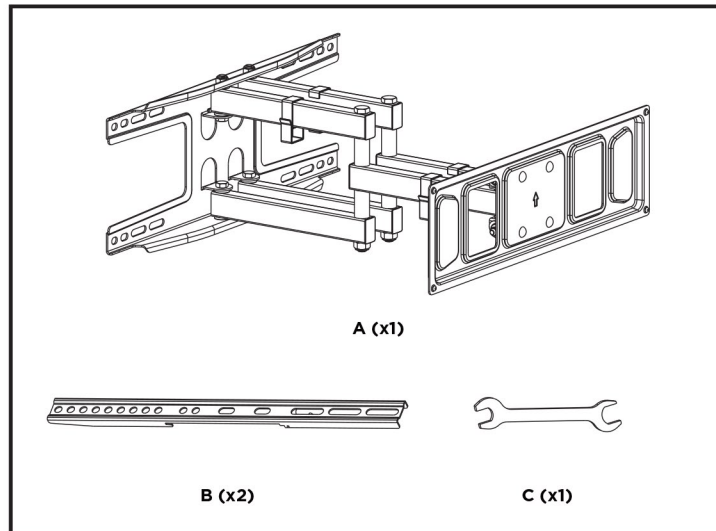
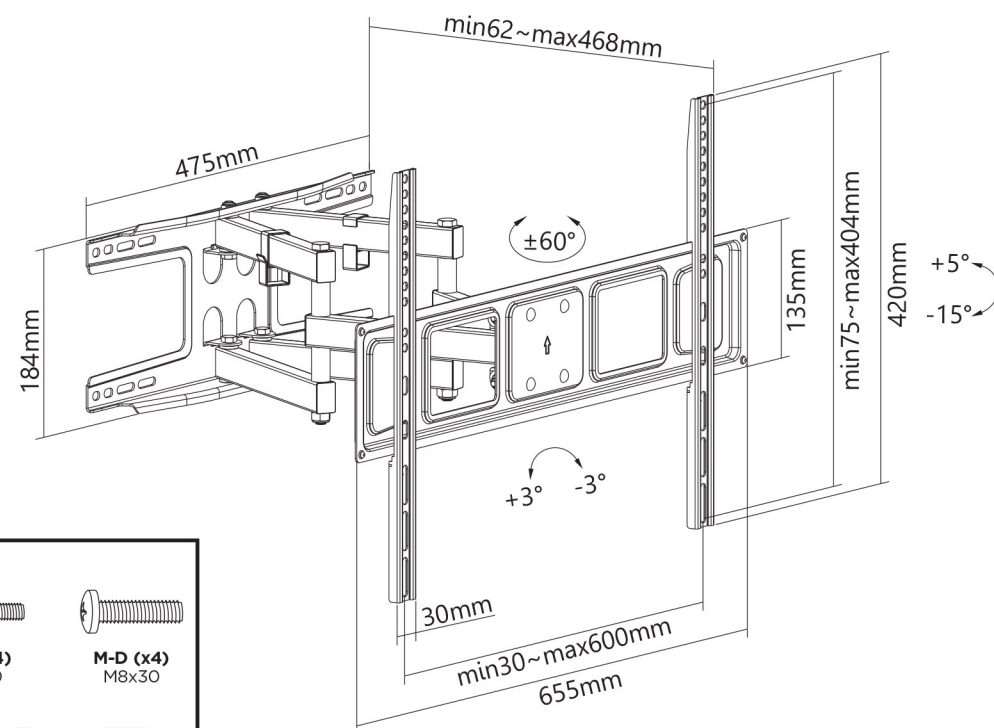


Rev.	Rev. Date	Modified By	Brief Description



M-A (x4) M5x14	M-B (x4) M6x14	M-C (x4) M6x30	M-D (x4) M8x30
M-E (x4) M8x50	M-F (x4)	M-G (x8)	M-H (x8)
W-A (x6) ST6.3x55	W-B (x6) Ø10x45	W-C (x6)	

MY CABLE MART			
DRAWN BY	DATE: 2021/1/29	DESCRIPTION: Full Motion TV Wall Mount LPA63-466	
CHECKED BY	SHEET 1of1	ITEM NO. 502683BK	
APPROVED BY	SCALE 1: 1	REV. 00	UNIT:mm

NO.	PART NAME	SPECIFICATION DESCRIPTION	QT'Y	UNIT
③				
②				
①				

Unless specified on the drawing, tolerances are per the follows:

.x	+1
.x	+0.2
.xx	+0.05