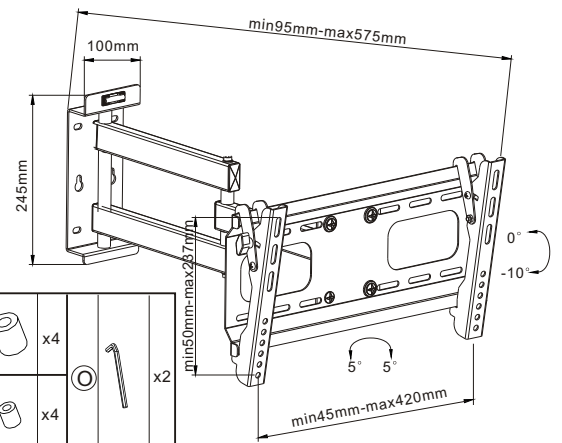


Manual Instruction

TV VESA 200x200/200x400mm

MAX 40kg/88lbs



(A)		x6	(C)		x4	(E)		x4	(G)		x4	(I)		x4	(K)		x6	(M)		x4		x2
(B)		x6	(D)		x4	(F)		x4	(H)		x4	(J)		x4	(L)		x4	(N)		x4		

