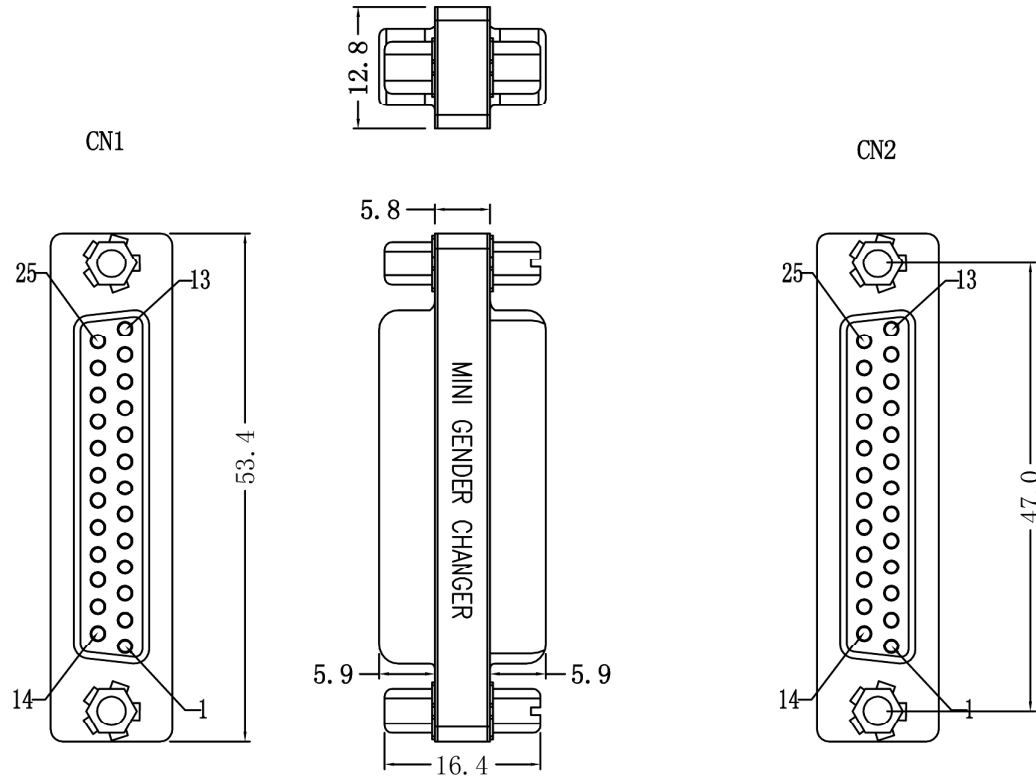


NOTE:ALL MATERIAL COMPLIANT ROHS STANDARD

REVISION INFORMATION			
Rev.	Rev. Date	Modified By	Brief Description



WIRE DIAGRAM

CN1	CN2	CN1	CN2
1	1	14	14
2	2	15	15
3	3	16	16
4	4	17	17
5	5	18	18
6	6	19	19
7	7	20	20
8	8	21	21
9	9	22	22
10	10	23	23
11	11	24	24
12	12	25	25
13	13	SHELL	SHELL

NOTE:

- 100% short/open circuited&wrong connection test conditions.
- Conduction impedance $\leq 5\Omega$, Insulation resistance $\geq 10M\Omega$. High voltage test, DC300V/10mS
- Marked with ▲ which is important measurement dimensions

My Cable Mart

NO.	PART NAME	SPECIFICATION DESCRIPTION	QTY	UNIT	
①	CONN	DB 25P F CONNECOR	1	PCS	Unless specified on the drawing, tolerances are per the follows: .x +1 .xx +0.2 .xxx +0.05
②	CONN	DB 25P F CONNECOR	1	PCS	
③	THE CONNECTION	CONNECTOR THE CONNECTION	25	PCS	

DRAWN BY	DATE: 2016/06/23	DESCRIPTION: DB25 Female/Female Mini Gender Changer
CHECKED BY	SHEET 1of1	ITEM NO. 271006
APPROVED BY	SCALE 1:1	REV. 00 UNIT:mm