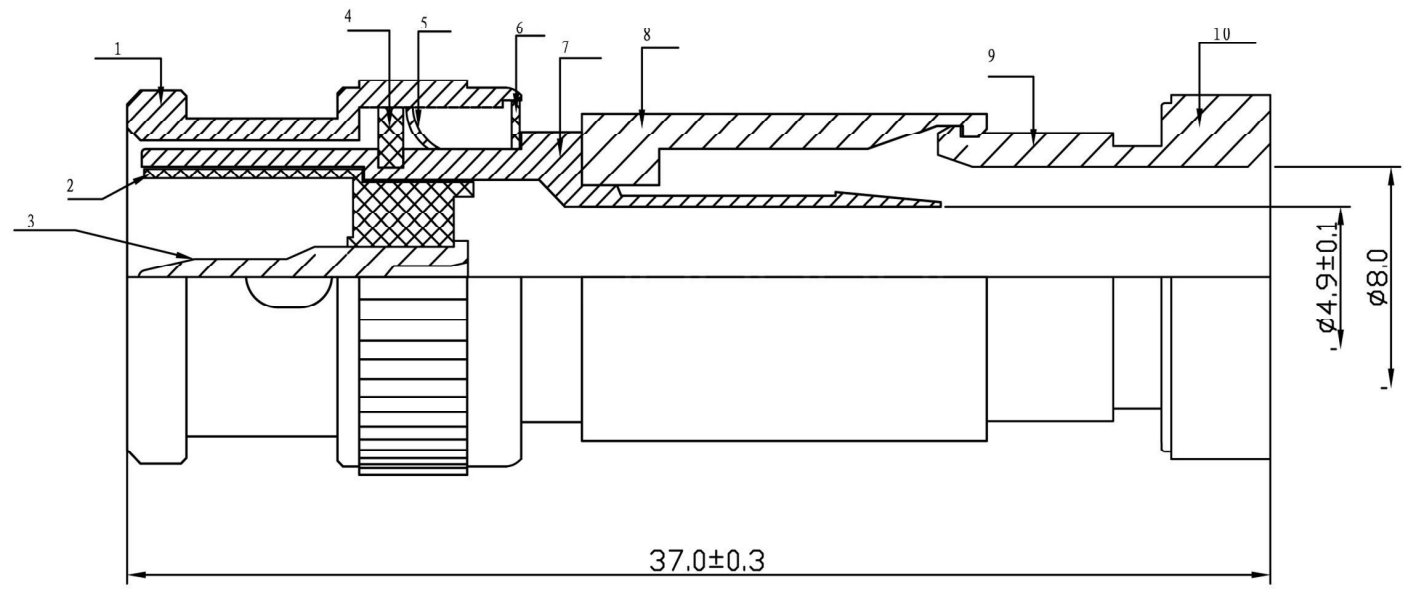


NOTE: ALL MATERIAL COMPLIANT ROHS STANDARD

REVISION INFORMATION

Rev.	Rev. Date	Modified By	Brief Description



**MATERIAL BRASS**  
**PIN BRASS GOLD PLATED**  
**100PCS/BAG**

11				
10	RING	Brass	1	1
9	Plastic Part	DELIN	1	1
8	BODY	Brass	1	1
7	BODY	Brass	1	1
6	WASHER	IRON	1	1
5	SPRING	STEEL	1	1
4	WASHER	IRON	1	1
3	PIN	Brass Gold	1	1
2	INSULATOR	DELIN	1	1
1	SHELL	ZINC / NICKEL	1	1
NO.	PART NAME	SPECIFICATION DESCRIPTION	QT'Y	UNIT

<b>DRAWN BY</b>	DATE: 2011/12/31	DESCRIPTION: <b>BNC M COMPRESSION RG6</b>
<b>CHECKED BY</b>	SHEET 1 of 1	ITEM NO. <b>270303</b>
<b>APPROVED BY</b>	SCALE 1:1	REV. 00 UNIT: mm

