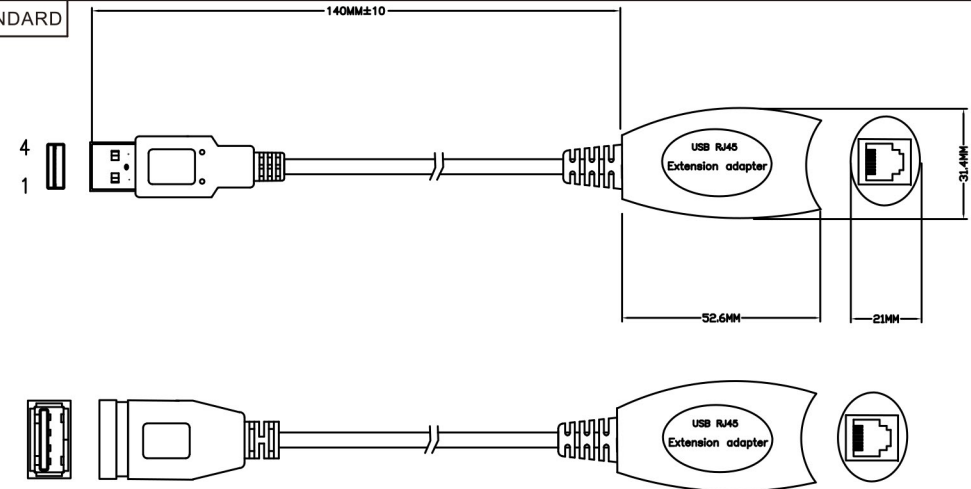
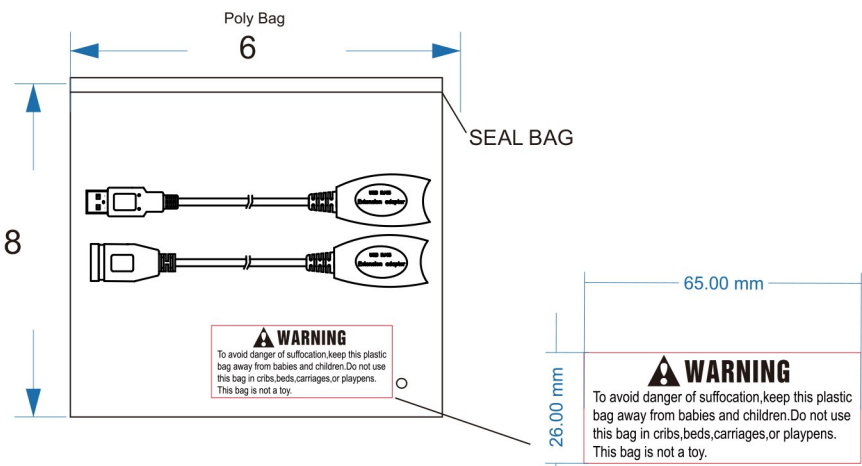


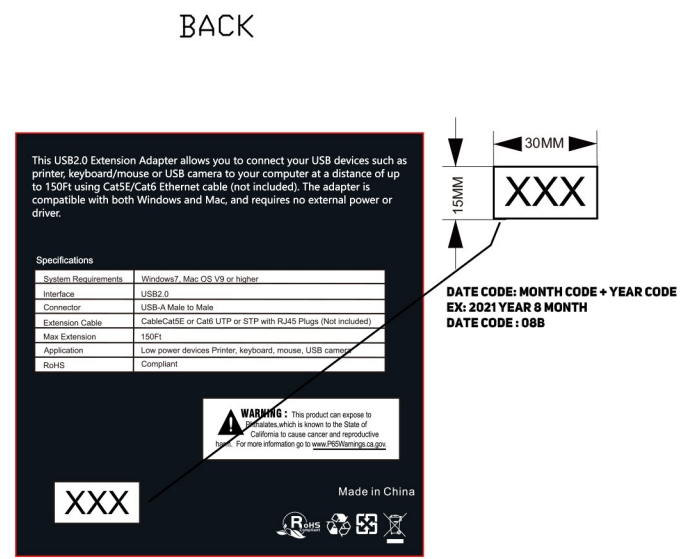
NOTE: ALL MATERIAL COMPLIANT ROHS STANDARD



REVISION INFORMATION			
Rev.	Rev. Date	Modified By	Brief Description



- NOTES:
- 1) PRIMARY DIM: A, B
 - 2) RoHS compliant.



NO.	PART NAME	SPECIFICATION DESCRIPTION	QT'Y	UNIT
①		USB2.0 EXTENDER OVER RJ45 CAT5, CAT5E, CAT6 CABLE EXTENSION CABLE	2	PCS
②		ABS HOUSING	4	PCS
③		CHIPSET: CJ1037A	1	PCS
④		POLY BAG 6*8'	1	PCS
⑤		WARNING LABEL 26MM*35MM	1	PCS
⑥		NEUTRAL COLOR BOX	1	PCS
⑦		DATE CODE LABEL	1	PCS

Unless specified on the drawing, tolerances are per the follows:
 . +1
 .x +0.2
 .xx +0.05

MY CABLE MART

DRAWN BY	DATE: 2021/10/07	DESCRIPTION: USB2.0 EXTENDER CABLE
CHECKED BY	SHEET 1 of 1	ITEM NO. 150464
APPROVED BY	SCALE 1: 1	REV. 00 UNIT: mm