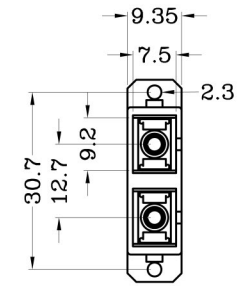
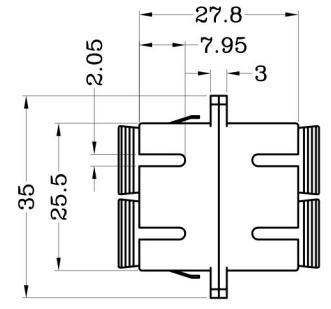
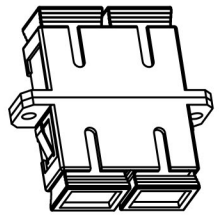


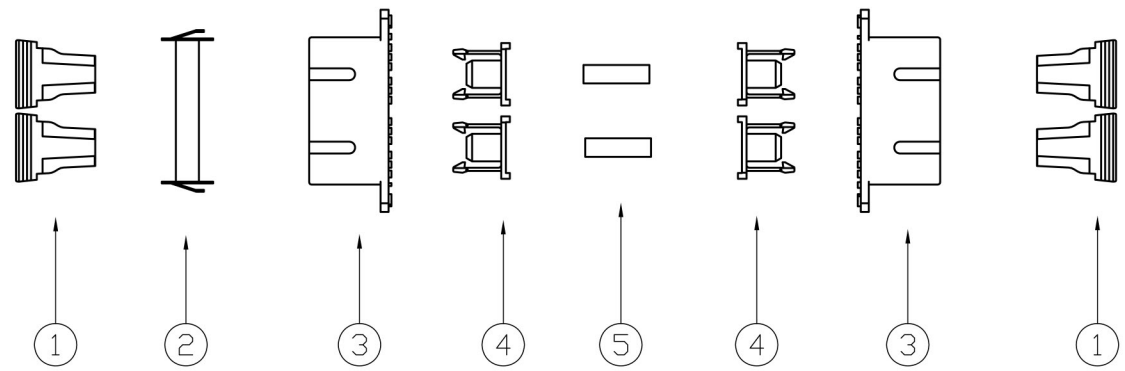
NOTE: ALL MATERIAL COMPLIANT ROHS STANDARD

| REVISION INFORMATION | | | |
|----------------------|-----------|-------------|-------------------|
| Rev. | Rev. Date | Modified By | Brief Description |
| | | | |



| PART | MAT NO. | PAPT NAME | MAT. |
|------|--------------------|---------------------|---------|
| 1 | FBK-ADAPTER-SC-014 | DUST CAP | PP |
| 2 | FBK-ADAPTER-002 | SHRAPNEL_Double | SUS304 |
| 3 | FBK-ADAPTER-SC-003 | OUTER HOUSER_Double | PC |
| 4 | FBK-ADAPTER-SC-005 | CORE | PET+GF |
| 5 | FBK-ADAPTER-SC-013 | SLEEVES | CERAMIC |

| Parameter | SC-SC | | | |
|---------------------------|---------------------|-------|-------|-------|
| | SM | MM | APC | OM3 |
| Insertion Loss(db) | ≤0.25 | ≤0.25 | ≤0.25 | ≤0.25 |
| Mechanical Durability | >500 | | | |
| Sleeve | ZrO2 | | | |
| Operation wavelength | 1310nm~1550nm~850nm | | | |
| Operating Temperature(°C) | -40~+75 | | | |
| Storage Temperature (°C) | -40~+85 | | | |



| Item | Color |
|--------|-------|
| 102888 | Beige |
| 102890 | Green |

MY CABLE MART

| | | |
|-------------|---------------------|--|
| DRAWN BY | DATE: 2014/09/17 | DESCRIPTION: SC Duplex Adapter |
| CHECKED BY | SHEET 1 of 1 | ITEM NO. 102890 |
| APPROVED BY | SCALE 1:1 | REV. 00 UNIT: mm |

| NO. | PART NAME | SPECIFICATION DESCRIPTION | QTY | UNIT |
|-----|-----------|---------------------------|-----|------|
| ③ | | | | |
| ② | | | | |
| ① | | | | |