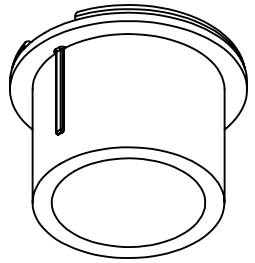
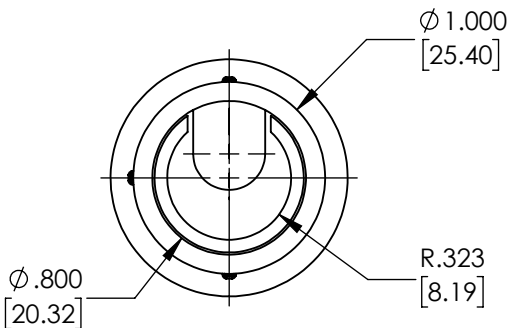
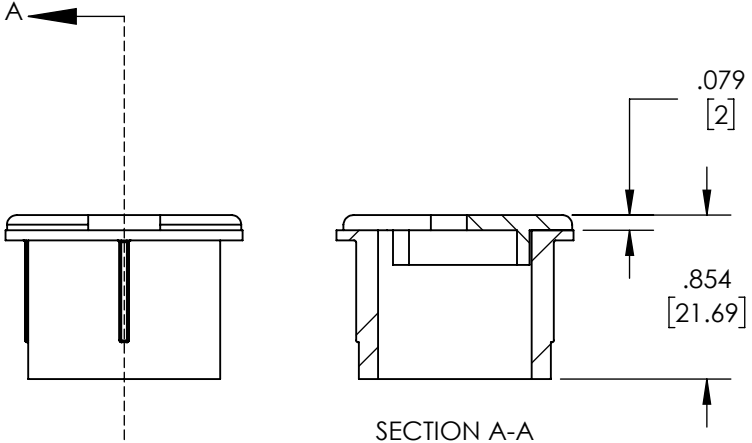
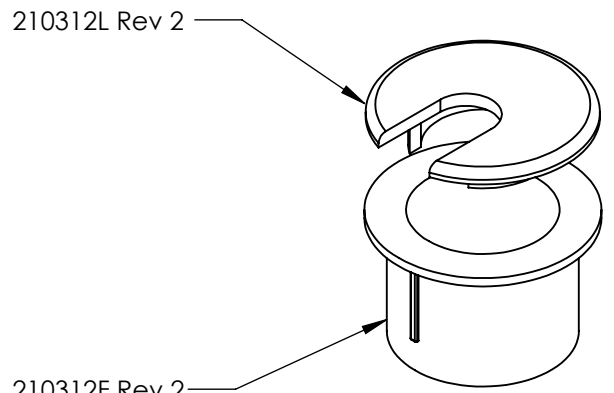
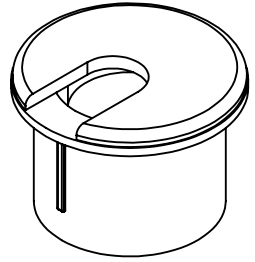
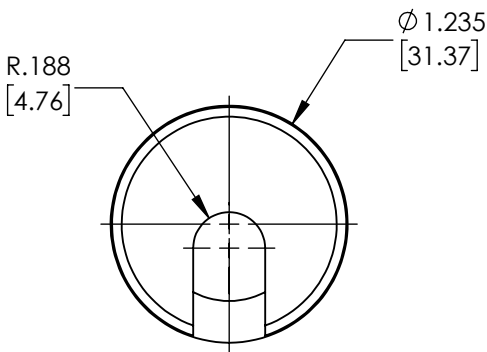


- NOTES:
 1. REFER TO 3D CAD FOR COMPLETE GEOMETRY
 2. BREAK ALL SHARP EDGES

REVISIONS			
REV.	DESCRIPTION	DATE	APPROVED
1	INITIAL CONCEPT	3/12/21	
2	REDESIGNED	3/16/21	

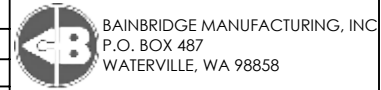


PART FILE NAME: 210312 Rev 2
 REVISION: 1

UNLESS OTHERWISE SPECIFIED:

DIMENSIONS ARE IN INCHES AND MILLIMETERS [MM], TOLERANCES:	DESIGNED	8.16.21	Soderstrom
INCHES	DRAWN	MM/DD/YY	XXXX
.X : ±0.1 [X] : [±3]	CHECKED	MM/DD/YY	N/A
.XX : ±0.03 [X.X] : [±0.8]	ENG. APPR.	MM/DD/YY	N/A
.XXX : ±0.015 [X.XX] : [±0.38]	MFG. APPR.	MM/DD/YY	N/A
ANGULAR:	Q.A.	MM/DD/YY	N/A
MACHINE: ±0.5°, BEND: ±1.0°			
GEOMETRIC TOLERANCING PER: ASME-Y14.5-94			
MATERIAL: HIPS			
DO NOT SCALE			

DATE	NAME
8.16.21	Soderstrom
MM/DD/YY	XXXX
MM/DD/YY	N/A
MM/DD/YY	N/A
MM/DD/YY	N/A
MM/DD/YY	N/A



BAINBRIDGE MANUFACTURING, INC
 P.O. BOX 487
 WATERVILLE, WA 98858

TITLE:
 Grommet Assembly
 #1041 (6)

SIZE: A	DRAWING NUMBER: 210312	REV: 1
SCALE: 1:1	WEIGHT: 6.590 g	SHEET 1 OF 1

PROPRIETARY AND CONFIDENTIAL: THE INFORMATION CONTAINED IN THIS DRAWING IS THE SOLE PROPERTY OF BAINBRIDGE MANUFACTURING, INC. ANY REPRODUCTION IN PART OR AS A WHOLE WITHOUT THE WRITTEN PERMISSION OF BAINBRIDGE MANUFACTURING, INC. IS PROHIBITED.