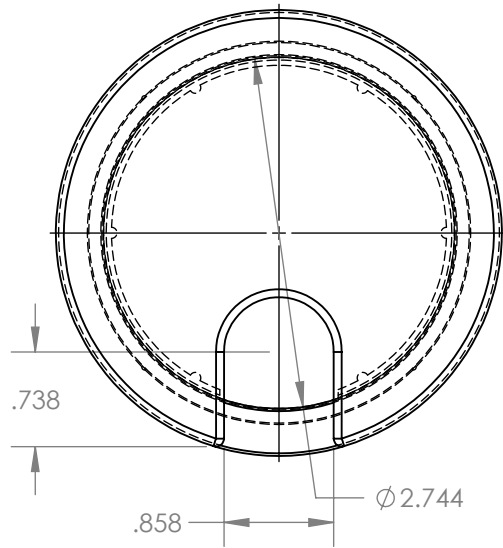
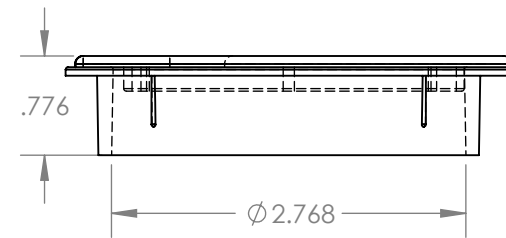
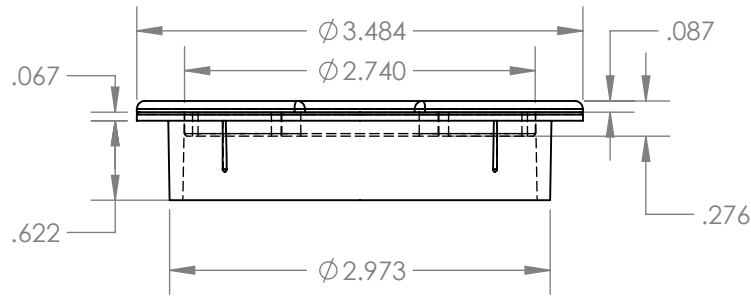
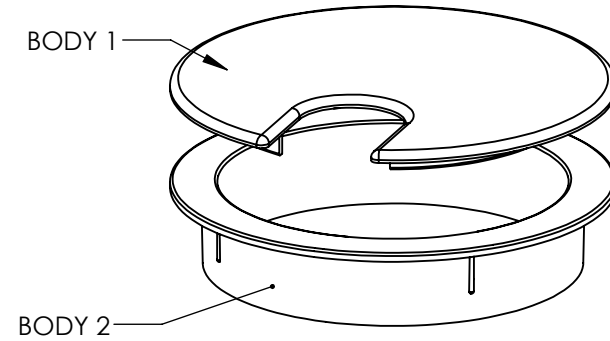


- NOTES:
 1. REFER TO 3D CAD FOR COMPLETE GEOMETRY
 2. BREAK ALL SHARP EDGES

REVISIONS			
REV.	DESCRIPTION	DATE	APPROVED
P01	INITIAL CONCEPT	12/23/16	



TWO BODIES



PART FILE NAME: 1043
 REVISION: P01

UNLESS OTHERWISE SPECIFIED:

DIMENSIONS ARE IN INCHES AND MILLIMETERS [MM], TOLERANCES:

INCHES	MILLIMETERS
.X : ±0.1	[X] : [±3]
.XX : ±0.03	[X.X] : [±0.8]
.XXX : ±0.015	[X.XX] : [±0.38]


ANGULAR:
 MACHINE: ±0.5°, BEND: ±1.0°

GEOMETRIC TOLERANCING PER:
 ASME-Y14.5-94

MATERIAL: HIPS

DO NOT SCALE

	DATE	NAME
DESIGNED	6.6.18	Soderstrom
DRAWN	MM/DD/YY	XXX
CHECKED	MM/DD/YY	N/A
ENG. APPR.	MM/DD/YY	N/A
MFG. APPR.	MM/DD/YY	N/A
Q.A.	MM/DD/YY	N/A



BAINBRIDGE MANUFACTURING, INC
 P.O. BOX 487
 WATERVILLE, WA 98858

TITLE: GROMMET - 3"	
SIZE: A	DRAWING NUMBER: 1043
SCALE: 2:3	WEIGHT: 33.42 g
REV: P01	SHEET 1 OF 1

PROPRIETARY AND CONFIDENTIAL: THE INFORMATION CONTAINED IN THIS DRAWING IS THE SOLE PROPERTY OF BAINBRIDGE MANUFACTURING, INC. ANY REPRODUCTION IN PART OR AS A WHOLE WITHOUT THE WRITTEN PERMISSION OF BAINBRIDGE MANUFACTURING, INC. IS PROHIBITED.