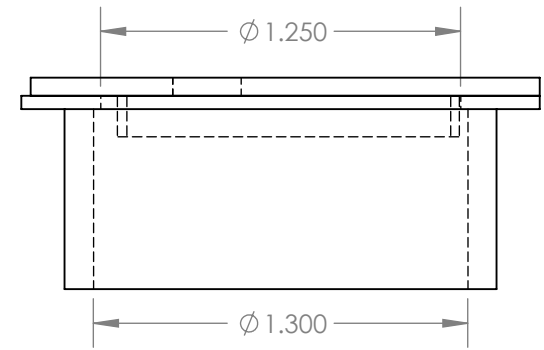
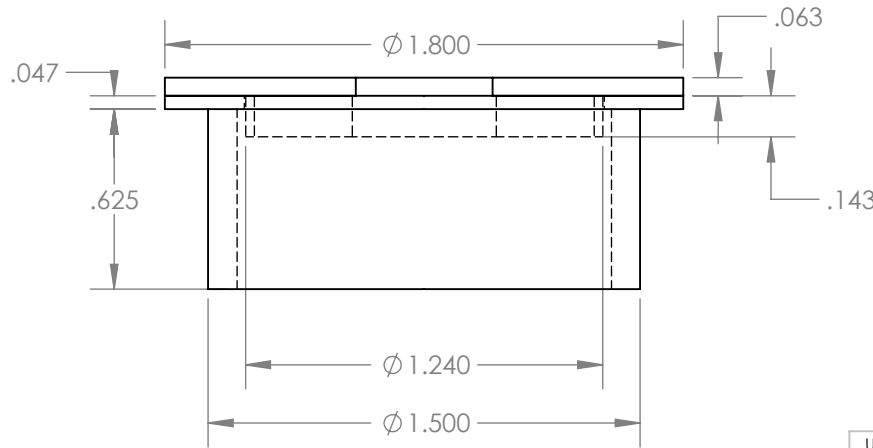
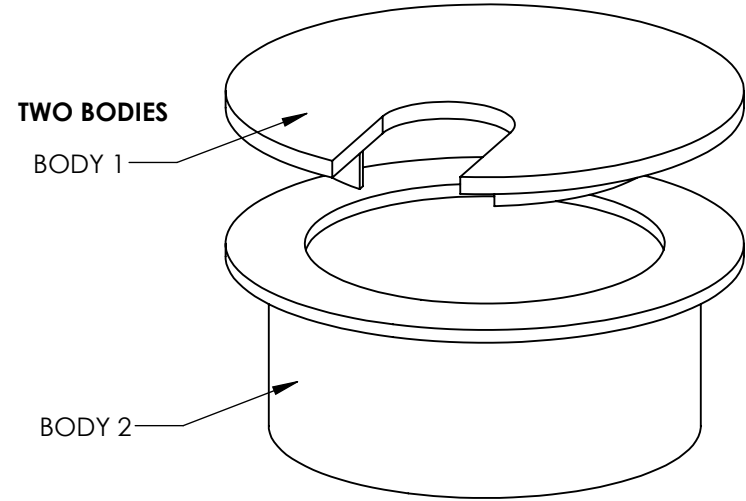
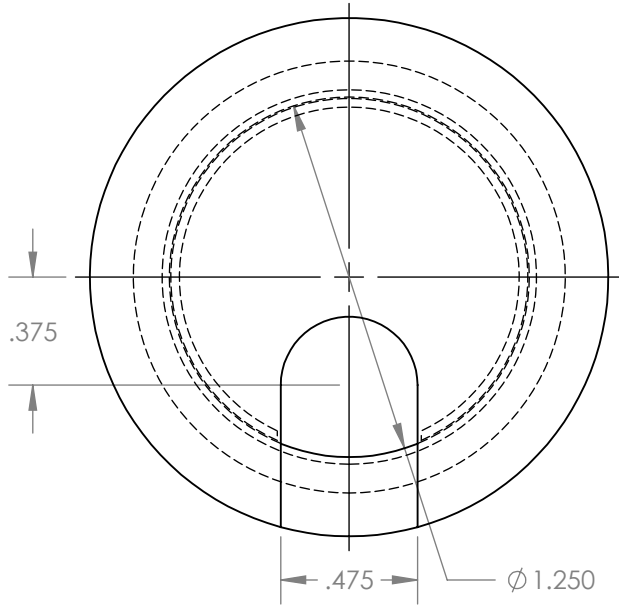


- NOTES:
 1. REFER TO 3D CAD FOR COMPLETE GEOMETRY
 2. BREAK ALL SHARP EDGES

REVISIONS			
REV.	DESCRIPTION	DATE	APPROVED
P01	INITIAL CONCEPT	12/23/16	



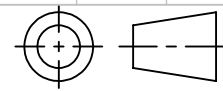
PART FILE NAME: 1037
 REVISION: P01

UNLESS OTHERWISE SPECIFIED:		
	DATE	NAME
DIMENSIONS ARE IN INCHES AND MILLIMETERS [MM], TOLERANCES:	DESIGNED 6.6.18	Soderstrom
<u>INCHES</u>	DRAWN MM/DD/YY	XXX
.X : ±0.1 [X] : [±3]	CHECKED MM/DD/YY	N/A
.XX : ±0.03 [X.X] : [±0.8]	ENG. APPR. MM/DD/YY	N/A
.XXX : ±0.015 [X.XX] : [±0.38]	MFG. APPR. MM/DD/YY	N/A
<u>ANGULAR:</u>	Q.A. MM/DD/YY	N/A
MACHINE: ±0.5°, BEND: ±1.0°		
GEOMETRIC TOLERANCING PER: ASME-Y14.5-94		
MATERIAL: HIPS		
DO NOT SCALE		



BAINBRIDGE MANUFACTURING, INC
 P.O. BOX 487
 WATERVILLE, WA 98858

TITLE: GROMMET 1-1/2"		
SIZE: A	DRAWING NUMBER: 1037	REV: P01
SCALE: 3:2	WEIGHT: 9.62 g	SHEET 1 OF 1



PROPRIETARY AND CONFIDENTIAL: THE INFORMATION CONTAINED IN THIS DRAWING IS THE SOLE PROPERTY OF BAINBRIDGE MANUFACTURING, INC. ANY REPRODUCTION IN PART OR AS A WHOLE WITHOUT THE WRITTEN PERMISSION OF BAINBRIDGE MANUFACTURING, INC. IS PROHIBITED.