

# DIGITAL INDOOR TV ANTENNA

Stylish series

## INTRODUCTION:

This is a special designed antenna for both analog and digital terrestrial TV broadcasting reception. It can receive all the TV signals of your area in VHF and UHF band, as well as the FM radio signal. It is the best solution for home reception and digital portable TV reception. This antenna is an active antenna powered through AC/DC power adapter. It is very practical to install and very easy to use.

## TECHNICAL DATA:

- Frequency range: VHF:87.5-230MHz
- Output Level: 100dB $\mu$ V Max
- UHF:470-862MHz
- Out Impedance: 75  $\Omega$
- Receiving Range: FM/VHF/UHF/
- Noise Figure:  $\leq$ 3dB
- Max Gain: 30dB(max)
- Power Supply: Via AC/DC adapter(DC12V/50mA)

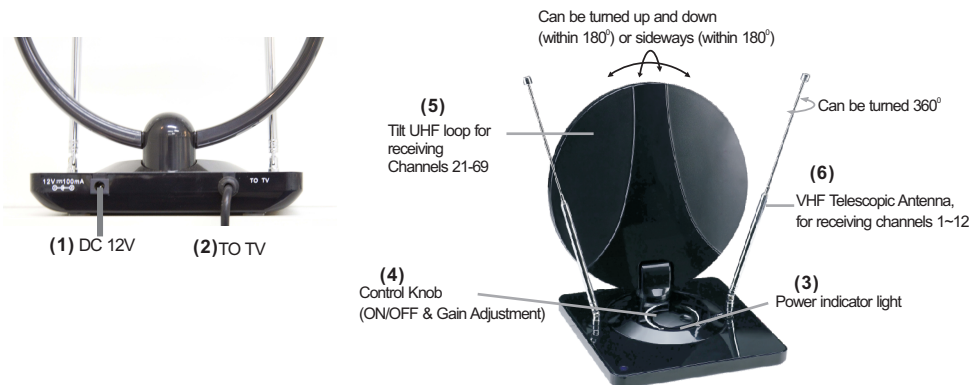
## PRODUCT FEATURES:

- Variable gain control
- Power On/Off LED indicator
- SMD circuit technology design
- Built-in high gain and low noise amplifier.
- Adjustable loop aerial for the best UHF reception
- Adjustable Telescopic antennas for optimum VHF and FM radio reception
- Specially designed for HDTV of various digital terrestrial signal (DVB-T, ISDB-T, DMB-T/H, ATSC) and DAB/FM radios.

## INSTALLATION:

Note: For the best reception, please check the following conditions

1. Keep the antenna away from the sources of interference: keep the antenna away from those big power consumption devices, such as air conditioner, elevator, hair dryer and microwave oven...etc.
2. Place the antenna near windows when use the antenna in indoor environment.
3. Install the antenna as high as possible: In digital terrestrial reception, if there are some interceptions between antenna and transmission tower, it will cause the signal loss temporary. So if the antenna is installed as possible, those interceptions will be reduced.



## SETTING AND CONNECTIONS

- Connect coaxial cable connector (2) to TV or set top-box.
- Connect the DC jack to antenna (1) and plug the AC/DC adaptor into the AC power socket. After checking that all the connections have been done properly, turn clockwise the ON/OFF knob (4) to switch the antenna on: led (3) lights up showing that the amplifier of indoor antenna is working. Now, turn your television set on and select a TV programme, then adjust the rod antennas (6), the dipole antenna (5) and the amplifier gain (4) according to what is described in next paragraphs.

## SIGNAL RECEPTION

### VHF SIGNALS - I-III BAND (channels 1-12)

This antenna receives VHF signals (both analog and digital) through the rod antennas (6).

For best reception, adjust rod antennas as follows:

- for I Band: extend completely the rod antennas;
- for III Band: shorten the rod antennas to about 16 inches (the extension depends on the channel you want to receive);
- then, move the rod antennas until you get the best signal reception.

### UHF SIGNALS - IV-V BAND (channels 21-69)

This antenna receives UHF signals through dipole antenna (5):

- tilt the dipole up and down;
- turn the dipole sideways until you get the best signal reception.

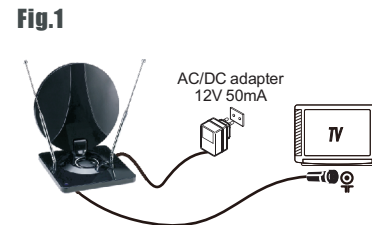
## GAIN ADJUSTING

In order to adjust the amplifier gain turn ON/OFF knob (4) until to get the best signal reception:

- to increase gain, turn the knob clockwise
- to reduce gain, turn the knob anticlockwise

**Note: This antenna can be used directly connected to TV or terrestrial set-top box, please take reference of following 2 different connecting ways to install your antenna.**

**(Fig.1), Directly connected to TV**



**Fig.2**

